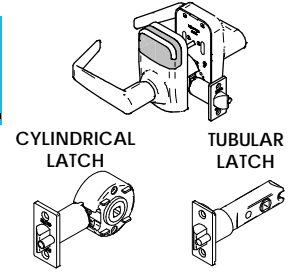
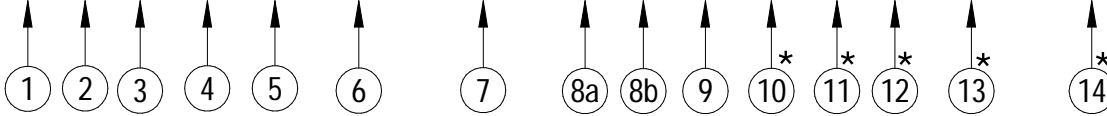


e i 2 x 0 m dd ffc t h s k p Mx



① LATCH & LOCK TYPE (e) (3)

<b>C</b>	<b>CYLINDRICAL LATCH</b>	GR1
<b>T</b>	<b>TUBULAR LATCH</b>	GR2
<b>M</b>	<b>MORTISE LOCK</b>	GR1

② ID - TECHNOLOGY (i)

<b>B</b>	<b>MIFARE + BLE</b>
<b>J</b>	<b>HID iClass + BLE</b>

③ ESCUTCHEON TYPE (2)

<b>2</b>	<b>XS4 Mini ANSI</b>
----------	----------------------

④ MODELS (x)

<b>5</b>	<b>CLUTCH</b>
<b>6</b>	<b>CLUTCH+OVERRIDE</b> (1)

⑤ FUNCTION (f)

<b>0</b>	<b>WHITHOUT PRIVACY</b>
----------	-------------------------

⑥ LEVER (m)

For handles and finishes compatibility, see "Chart handles" document: 4DS01541.

	XS4 Original				XS4 One	XS4 Mini				Rosetas						
	E10	E14	E16	GD	A16	S14	S16	E17	E1	T11	S11	U11	C12	T12	RxS	RxC
<b>A</b>	✓	✓	✓	✓	✓	✓	✓	✓	✓	✓	✓	✓	✓	✓	✓	✓
<b>B</b>	✓	✓	✓	✓	✓	✓	✓	✓	✓	✓	✓	✓	✓	✓	✓	✓
<b>E</b>	✓	✓	✓	✓	✓	✓	✓	✓	✓	✓	✓	✓	✓	✓	✓	✓
<b>H</b>	✓	✓	✓	✓	✓	✓	✓	✓	✓	✓	✓	✓	✓	✓	✓	✓
<b>J</b>	✓	✓	✓	✓	✓	✓	✓	✓	✓	✓	✓	✓	✓	✓	✓	✓
<b>K</b>	✓	✓	✓	✓	✓	✓	✓	✓	✓	✓	✓	✓	✓	✓	✓	✓

⑦ BACKSET (dd)

	BACKSET		DEADLATCH
<b>00</b>	<b>WITHOUT LATCH</b> (Internal use)		
<b>60</b>	<b>2-3/8"</b>	60mm	1/2" PROJECTION
<b>70</b>	<b>2-3/4"</b>	70mm	1/2" PROJECTION
<b>95</b>	<b>3-3/4"</b>	95mm	1/2" PROJECTION
<b>27</b>	<b>5"</b>	127mm	1/2" PROJECTION
<b>7F</b>	<b>2-3/4"</b>	70mm	3/4" PROJECTION

8a) FINISH (ff)

SALTO	BHMA	Fed. Spec.	DENOMINATION
<b>CS</b>	BHMA682	US26D	SATIN CHROMIUM
<b>CP</b>	BHMA681	US26	POLISHED CHROMIUM
<b>PP</b>	BHMA729	US3	POLISHED BRASS COLOUR
<b>PM</b>	BHMA732	US4	SATIN BRASS COLOUR
<b>NE</b>	BHMA685		SATIN CHROMIUM BLACK
<b>BC</b>			BIOCOTE (SATIN CHROMIUM)
<b>DB</b>	BHMA743	10B	DARK BRONZE

8b) READER (c)

READER COLOUR	
<b>B</b>	<b>BLACK</b>
<b>W</b>	<b>WHITE</b>

⑨ DOOR THICKNESS (t) (7)

	THROUGH SPINDLE			
	CYLINDRICAL CARTRIDGE		TUBULAR LATCH	
<b>3</b>	<b>1 9/16" - 1 3/4"</b>	40 - 47 mm	<b>1 1/4" - 1 3/4"</b>	32 - 47 mm
<b>4</b>	<b>1 3/4" - 2 3/8"</b>	45 - 60 mm	<b>1 3/4" - 2 3/8"</b>	45 - 60 mm
<b>6</b>	<b>2 3/8" - 3"</b>	60 - 75 mm	<b>2 3/8" - 3"</b>	60 - 75 mm
<b>7</b>	<b>3" - 3 1/2"</b>	75 - 90 mm	<b>3" - 3 1/2"</b>	75 - 90 mm
<b>9</b>	<b>3 1/2" - 4 1/8"</b>	90 - 105 mm	<b>3 1/2" - 4 1/8"</b>	90 - 105 mm

\* ⑩ HANDING (h)

NON - HANDED	
<b>R</b>	<b>RIGHT HAND</b>
<b>L</b>	<b>LEFT HAND</b>

\* ⑪ OTHER FEATURES (s)

\* ⑫ KEYPAD (k)

\* ⑬ COVER PLATE (p)

For cover plates, see: 4DS00049.

\* ⑭ DEMO BLOCK (Mx)

(\*). Optional.

(1) See cylinder specification, page5.

(2) PVD finish.

(3) For (GR1) cylindrical latch, standard "A" ANSI strike.

For (GR2) tubular latch, standard "T" strike.

(4) See cover plate "STANDARD", page 10.

(5) Not available.

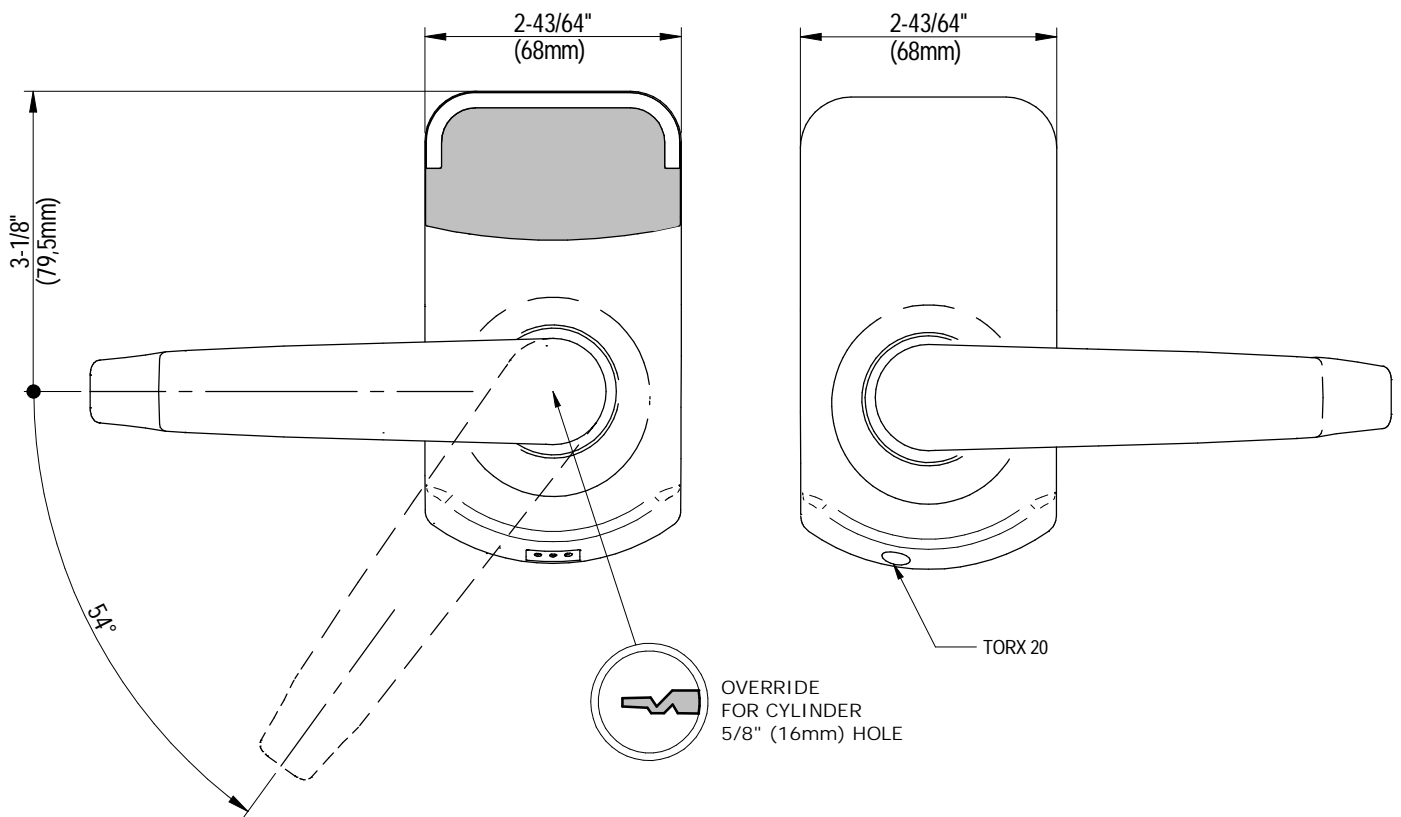
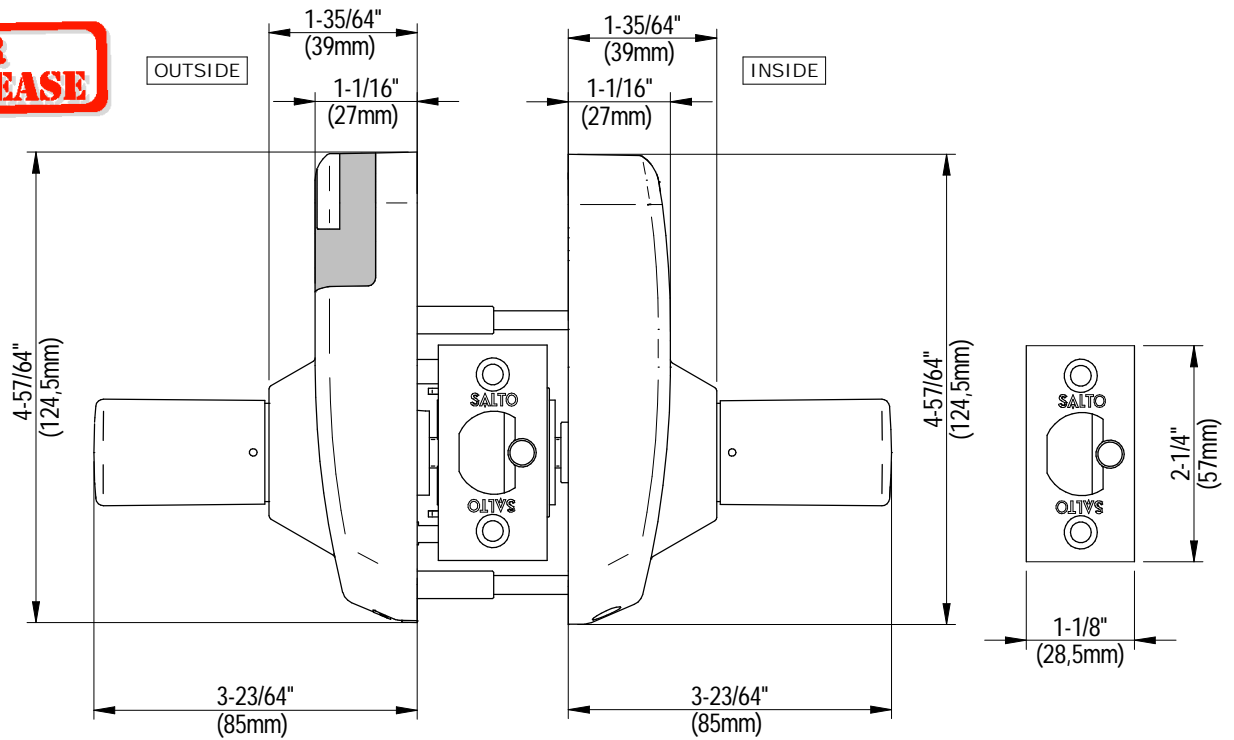
(6) Not available for tubular latch.

(7) To install XS4 Mini with cylindrical cartridge in door thickness < 1-9/16" (40mm), see page 5.

# Overall dimensions (standard)

## XS4 Mini ANSI with cylindrical latch

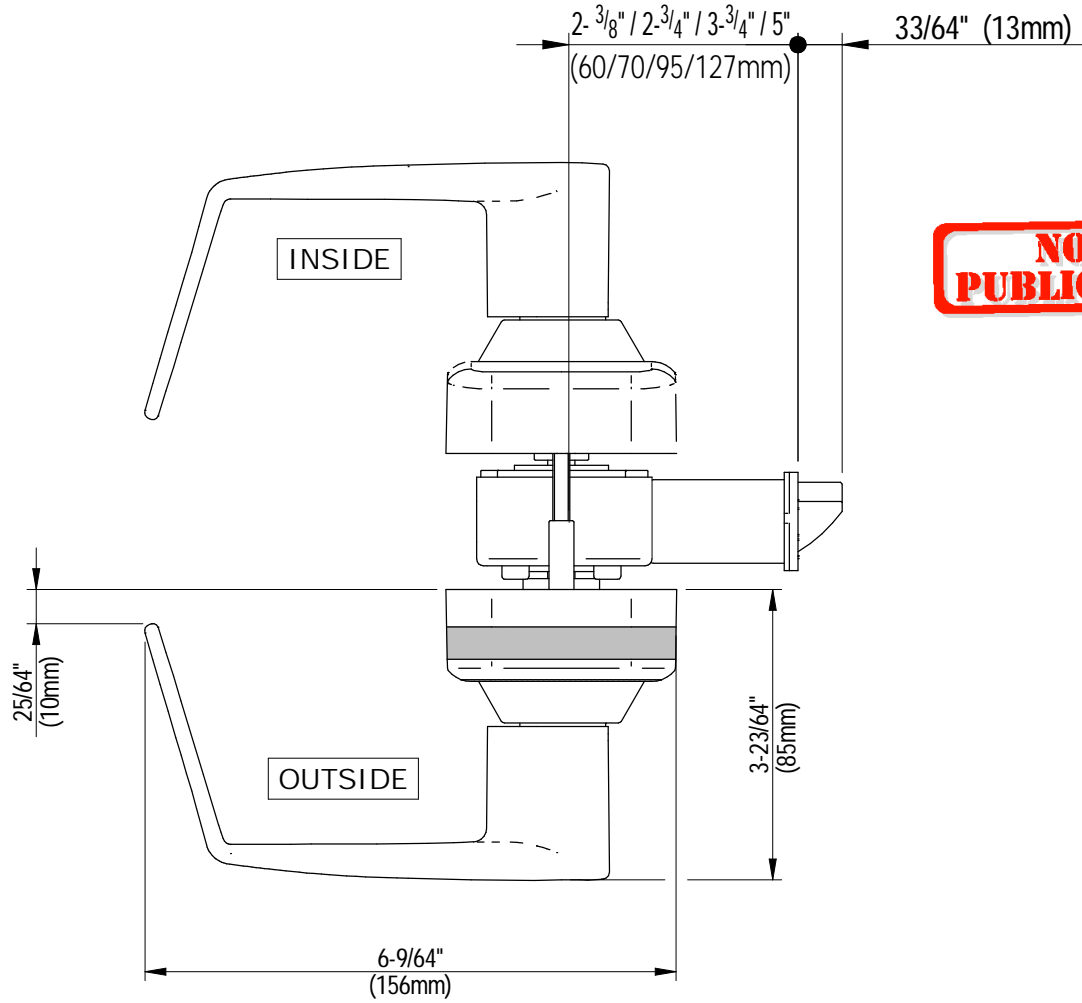
**NOT FOR PUBLIC RELEASE**



# Overall dimensions (standard)

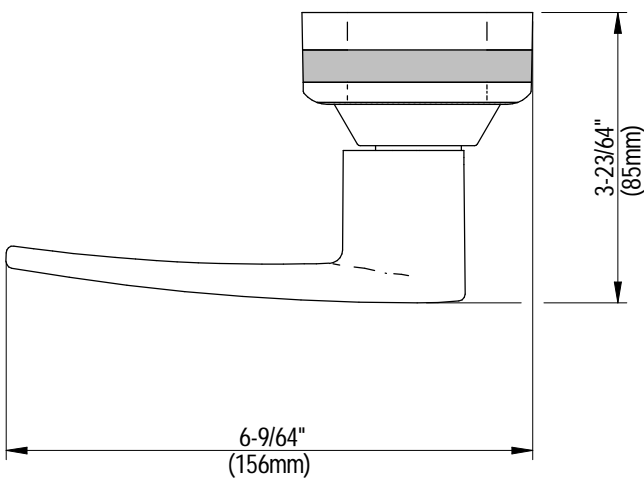
## XS4 Mini ANSI with cylindrical latch

### "N" LEVER

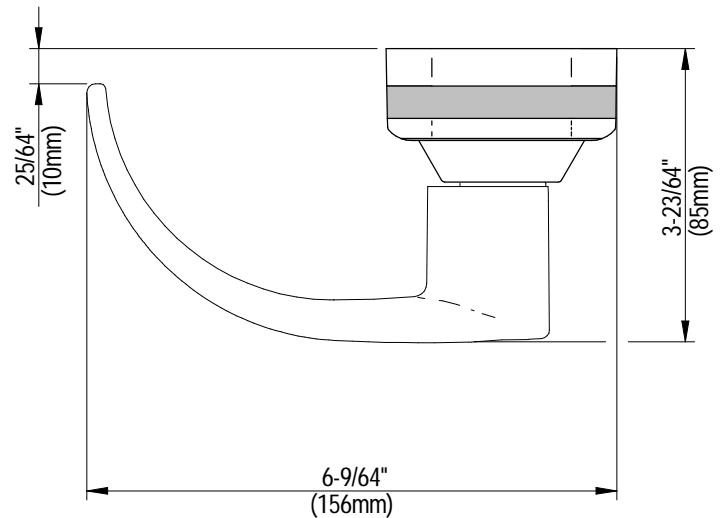


**NOT FOR PUBLIC RELEASE**

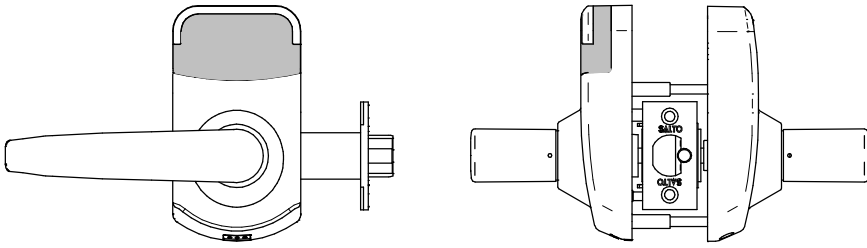
### "R" LEVER



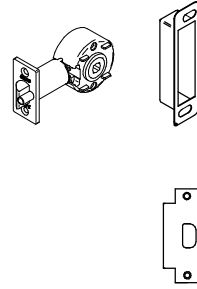
### "G" LEVER



C i 250m dd ffc t



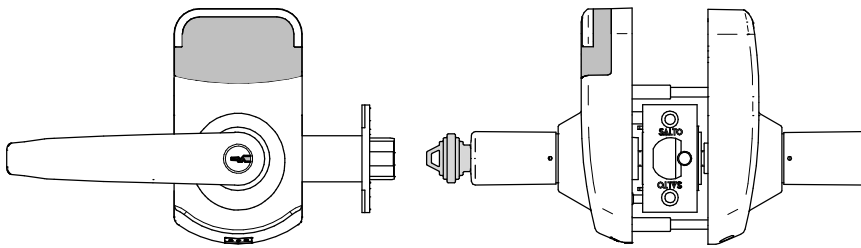
**INCLUDED**



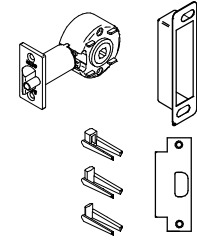
A, ANSI strike

**APPLICATION:**

C i 260m dd ffc t

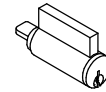


**INCLUDED**



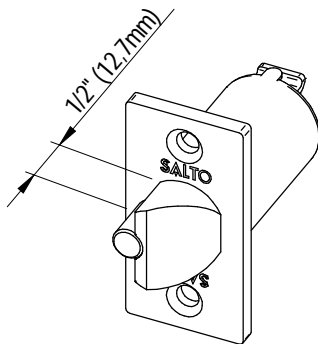
A, ANSI strike

(CYLINDER NOT INCLUDED)

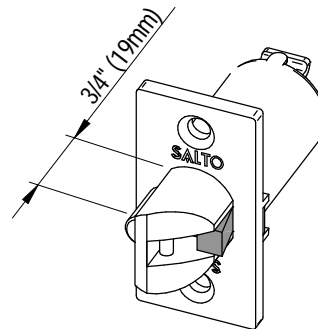


**APPLICATION:**

**STANDARD MODEL**



**7F MODEL**

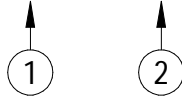


# Spacer Plate

## XS4 Mini ANSI with cylindrical latch

# SP226233.0x - ff

Only compatible with  
XS4 Mini with Cylindrical Latch!

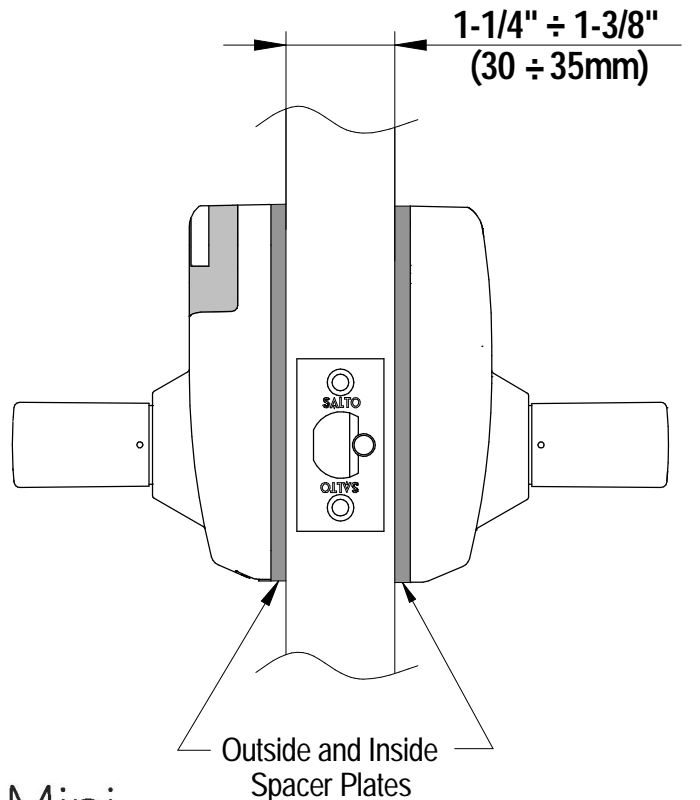
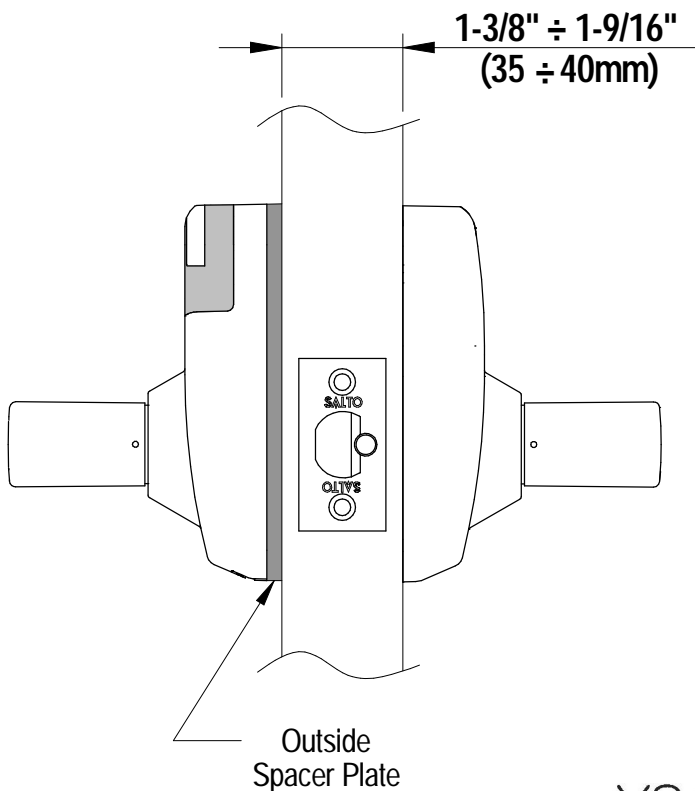
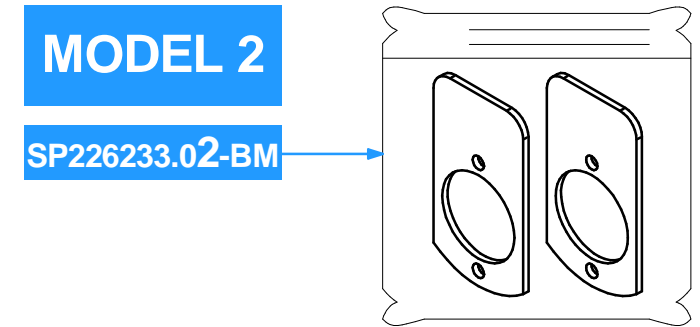
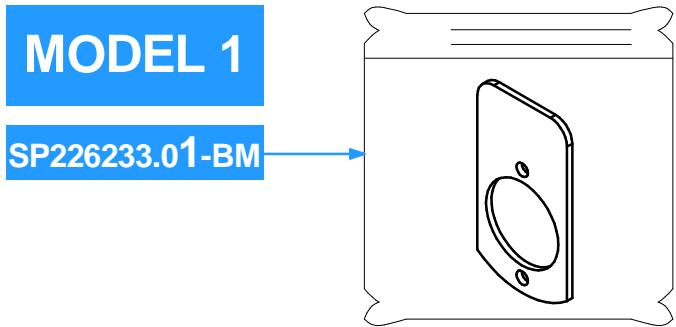
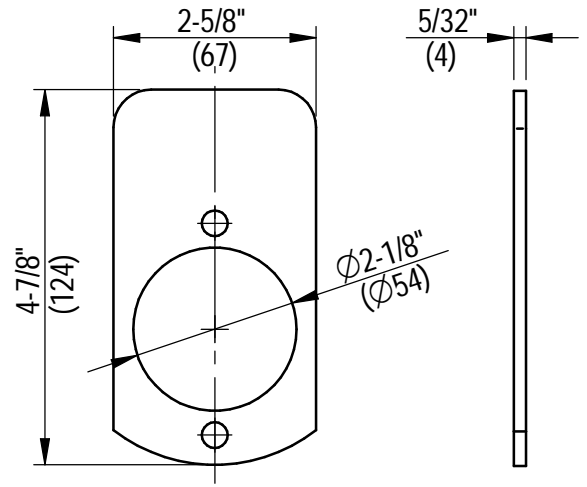


① **MODEL (x)**

	DOOR THICKNESS
1	1-1/4" ÷ 1-3/8" (35 ÷ 40 mm)
2	1-3/8" ÷ 1-9/16" (30 ÷ 35 mm)

② **MATERIAL (ff)**

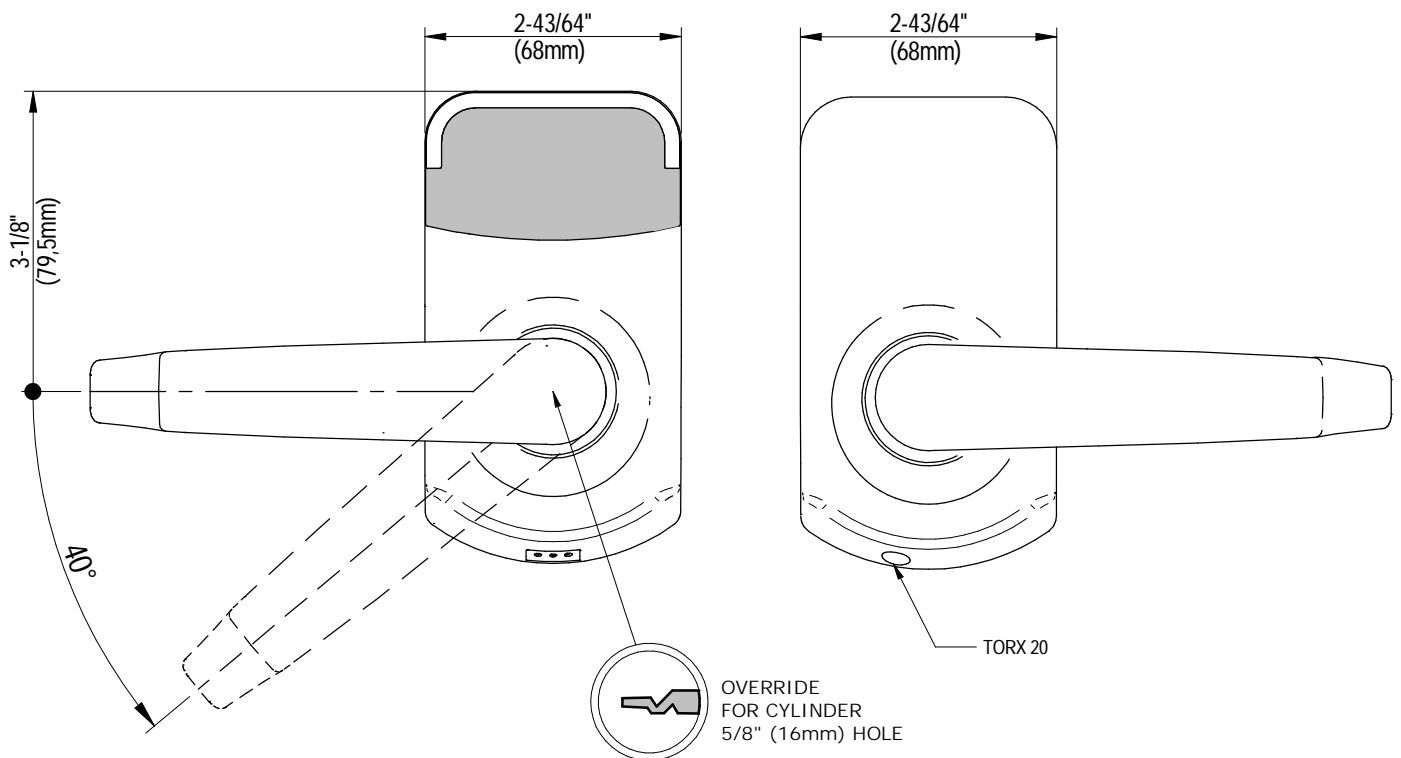
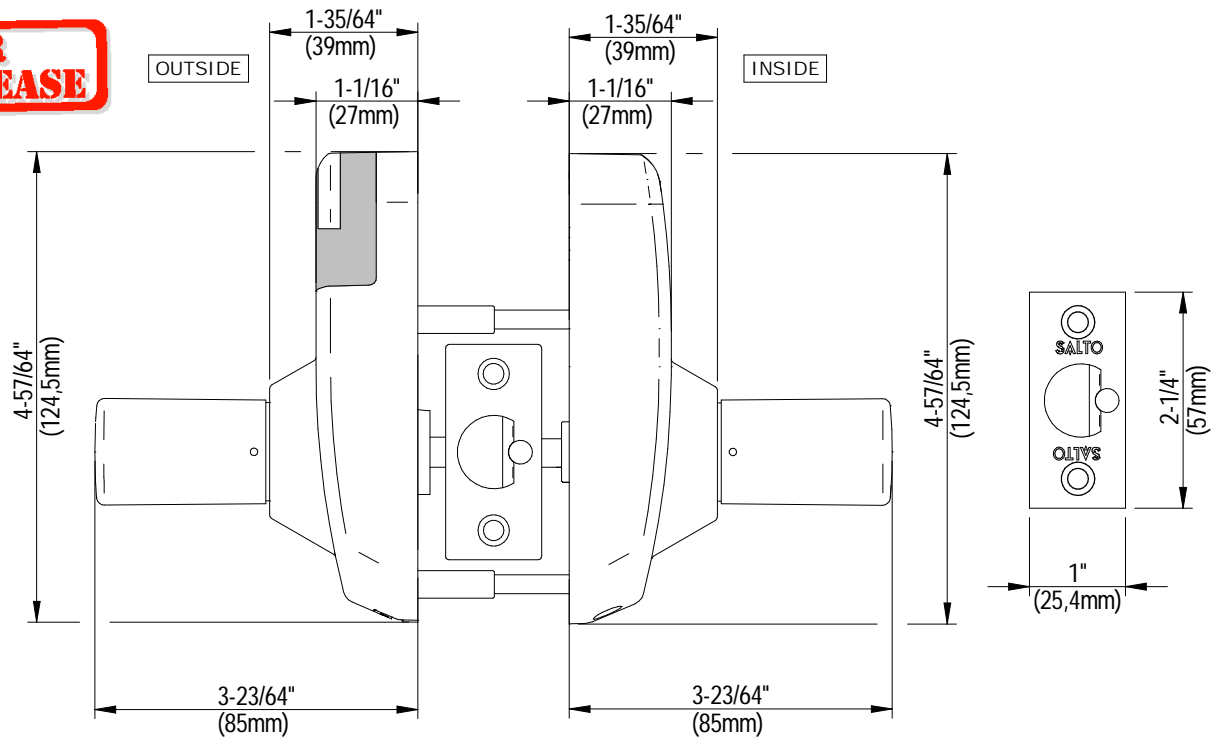
**BM** BLACK METHACRYLATE



# Overall dimensions (standard)

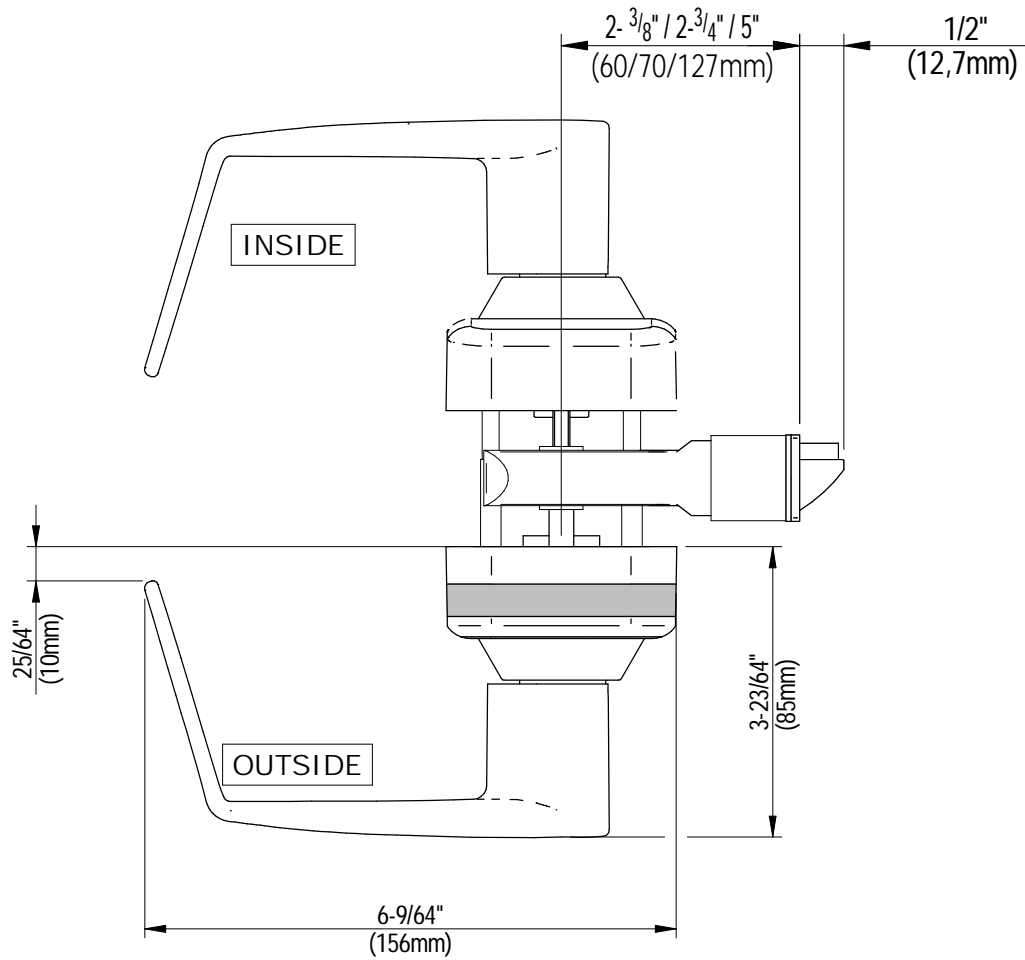
## XS4 Mini ANSI with tubular latch

**NOT FOR  
PUBLIC RELEASE**



# Overall dimensions (standard)

## XS4 Mini ANSI with tubular latch



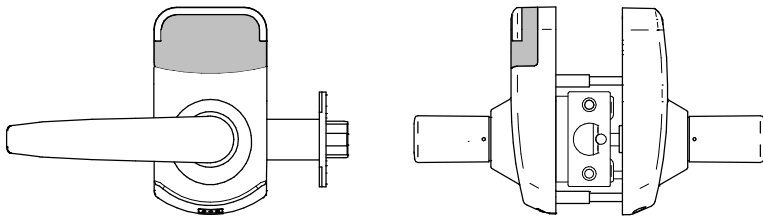
**NOT FOR  
PUBLIC RELEASE**

# Functions

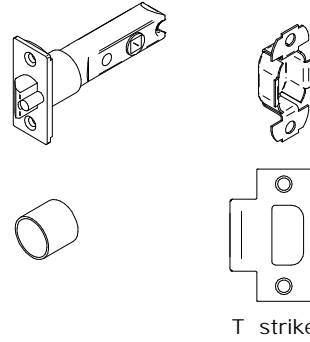
## XS4 Mini ANSI with tubular latch

**SALTO**  
inspiredaccess

T i **250**m dd ffc t

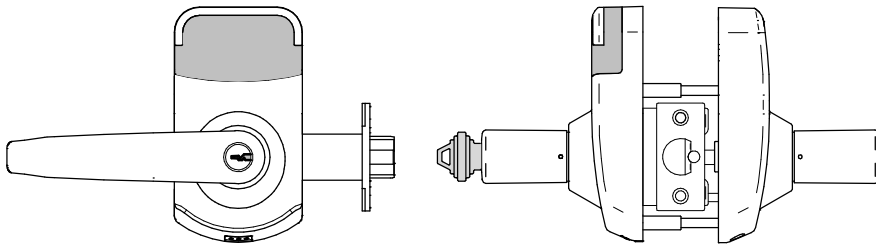


### INCLUDED

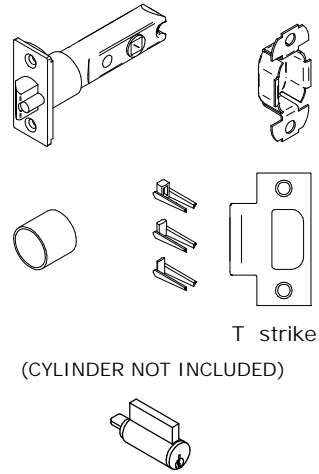


### APPLICATION:

T i **60**m dd ffc t

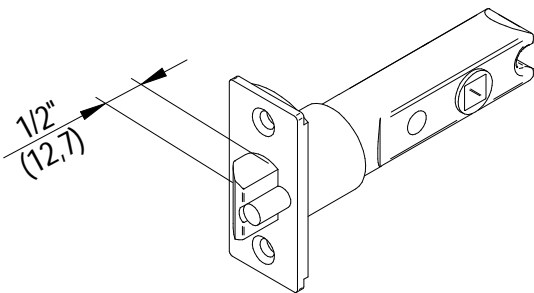


### INCLUDED



### APPLICATION:

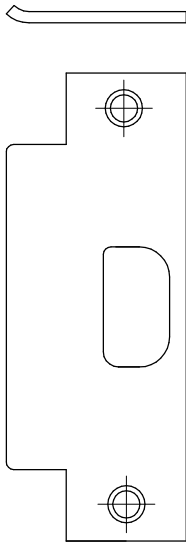
### TUBULAR MODEL



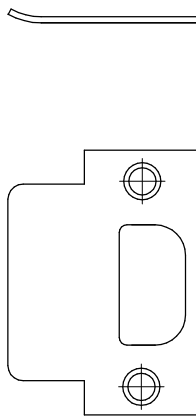


**STRIKES**

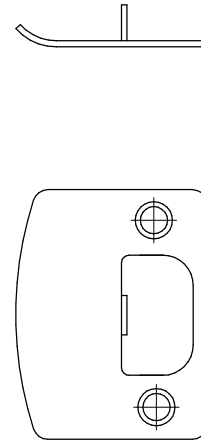
**NOT FOR  
PUBLIC RELEASE**



**A, ANSI strike**  
4-7/8" x 1-1/4"  
Ref. CELTKA(ff)\*



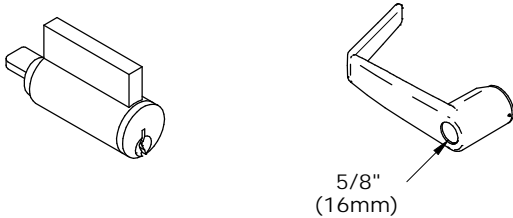
**T, strike**  
2-3/4" x 1-1/8"  
Ref. CELTKT(ff)\*



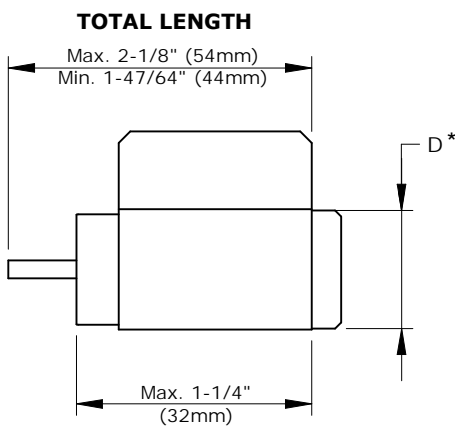
**L, strike**  
2-1/4" x 1-3/4"  
Ref. CELTKL(ff)\*

\* (ff) Only IM/PM

**CYLINDERS COMPATIBILITY**



**OVERALL DIMENSIONS**



**(D)** FOR LEVERS WITH 5/8" (16mm) HOLE .  
**(\*)** IF NECESSARY USE A RING.

	Cylinder	B (5 pins)	B (5 or 6 pins)
	 B: Bible length.	Less than 1" (55/64" to 63/64") (21,8mm to 25mm).	For 1" (25,4mm).
<b>Adapter</b>		(7/8" to 29/32") (22,2mm to 23mm). Standard cylinder 7/8" (22,2mm).	
		(15/16" to 31/32") (23,8mm to 24,6mm). Standard cylinder 61/64" (24,2mm).	
			(1" to 1-1/32") (25,4mm to 26,2mm). Standard cylinder 1-1/32" (26,2mm).
	<b>WITHOUT</b>		(1-1/16" to 1-3/32") (26,8mm to 27,7mm).

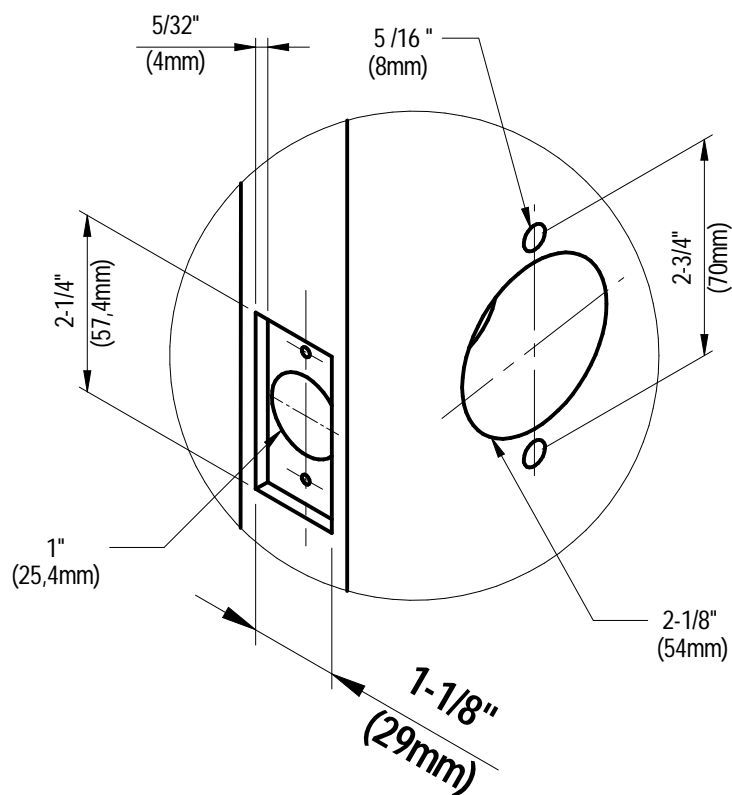


# Door preparation

## XS4 Mini ANSI

ANSI A 115.2 , Through bolted installation.

### XS4 Mini ANSI with cylindrical latch



### XS4 Mini ANSI with tubular latch

