

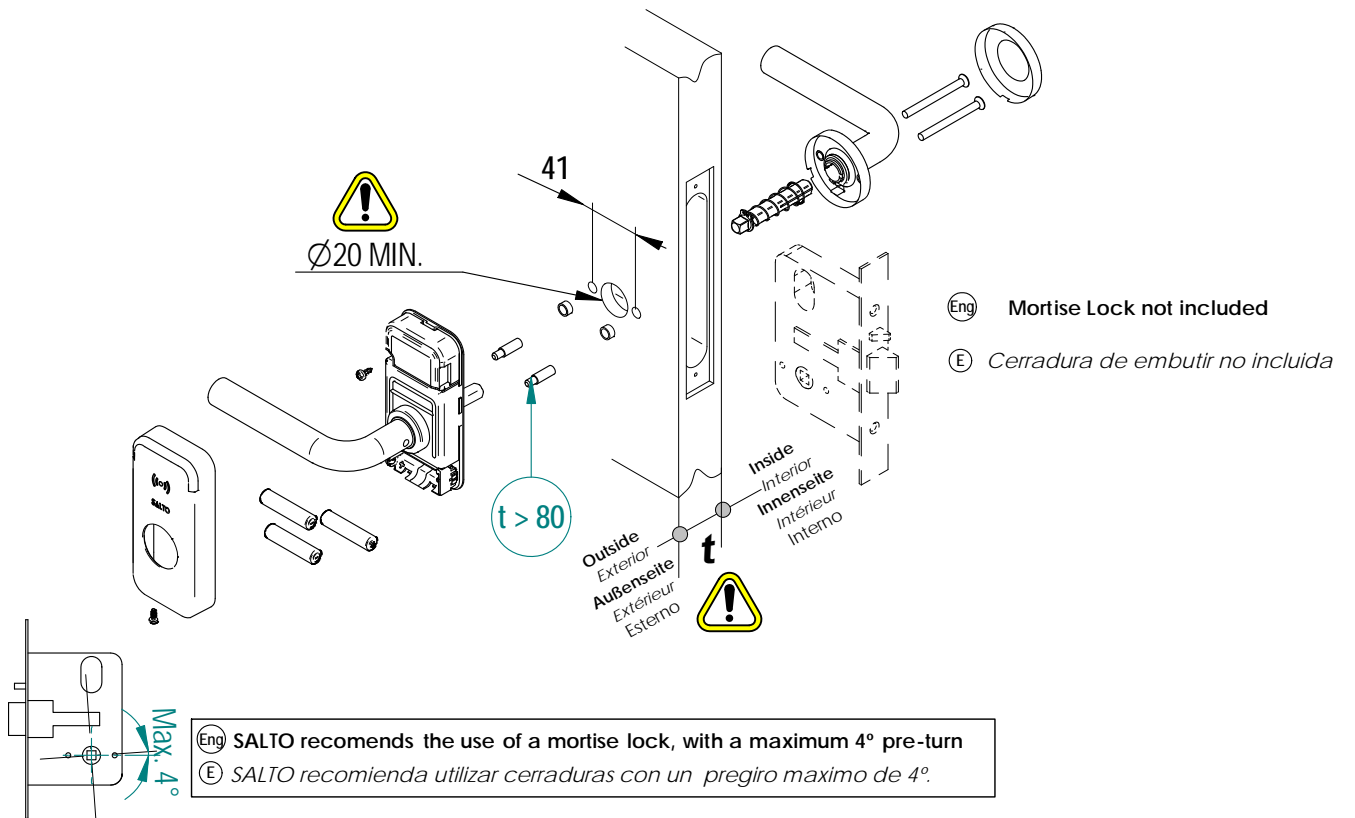
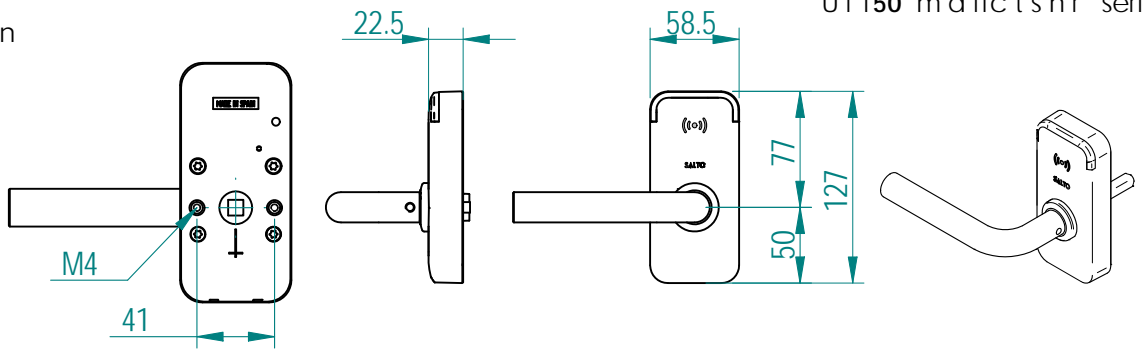
Installation guide XS4Mini

SALTO

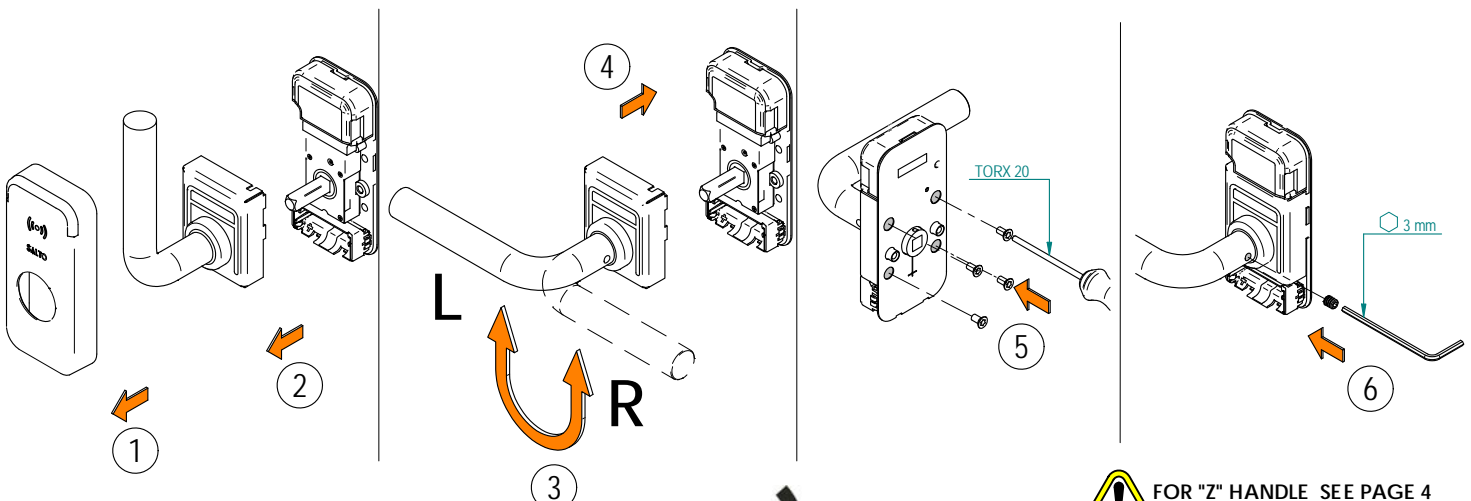
For Australian mortise locks with door holes (41 mm) for handle fastening inspiredaccess

(Eng) Installation guide
(E) Guía de instalación

Ui 150 m d f f c t s h r series



(Eng) SELECT HANDING (E) SELECCION MANO

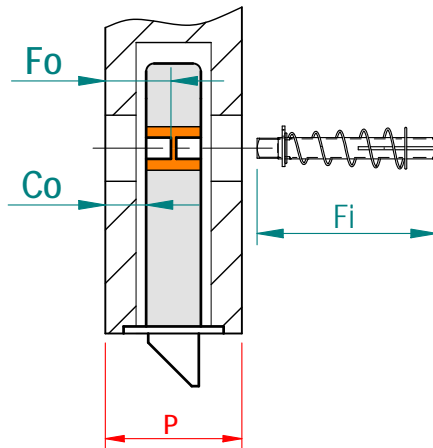
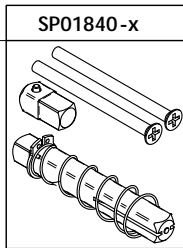


(Eng) FOR "Z" HANDLE SEE PAGE 4
(E) CON MANILLA "Z" VER PAGINA 4

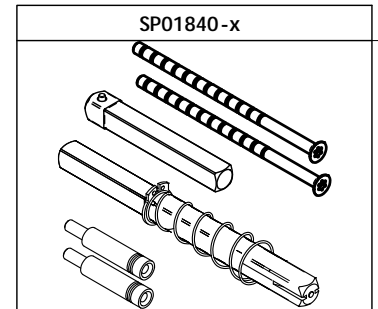
Split Spindle depending Spindle's "Fo" Measure

F Spindle Projection	Fo Needed Spindle Length	Co	t REF.	Split Spindle 7.6 Kit	Fi Inside Spindle	P Door Thickness (Orientative)
14.5 mm	15-17.5 mm	9-11.5	2	SP01840-2	53mm	32 - 50 mm
17 mm	17.5-20 mm	11.5 - 14 mm	A	SP01840-A		
19.5 mm	20-22.5 mm	14 - 16.5 mm	B	SP01840-B		
22 mm	22.5-25 mm	16.5 - 19 mm	5	SP01840-5		
16 - 58.5 mm	16.5 - 59 mm	10.5 - 54.5 mm	9	SP01841-9	53 mm	47 - 70 mm
			1	SP01841-1	70-105 mm	67 - 90 mm

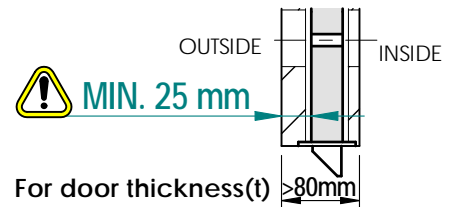
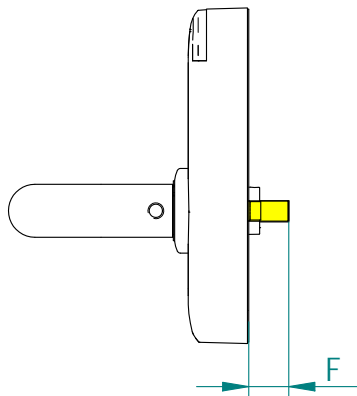
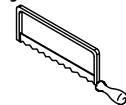
SPLIT SPINDLE 7.6 KIT



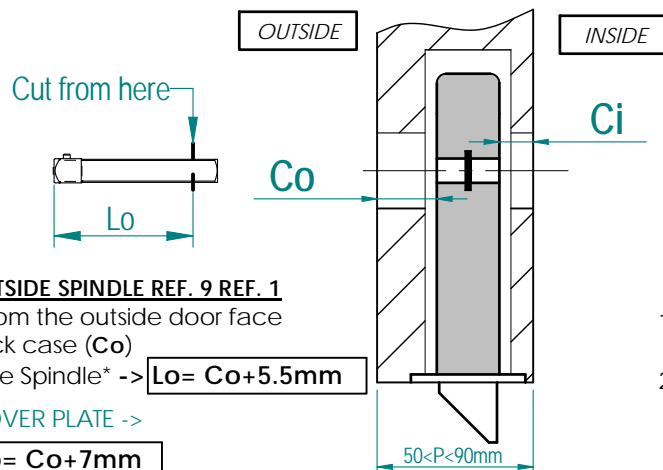
SPLIT SPINDLE 7.6 KIT



Necessary to cut to measure



For Door thickness from 50 to 90mm (t=REF.9, REF. 1). Prepare spindles as follows (Rebated doors allowed):



OUTSIDE SPINDLE REF. 9 REF. 1

- 1.-Measure from the outside door face to mortise lock case (Co)
- 2.- Cut Outside Spindle* -> $Lo = Co + 5.5mm$



WITH COVER PLATE ->

-> $Lo = Co + 7mm$

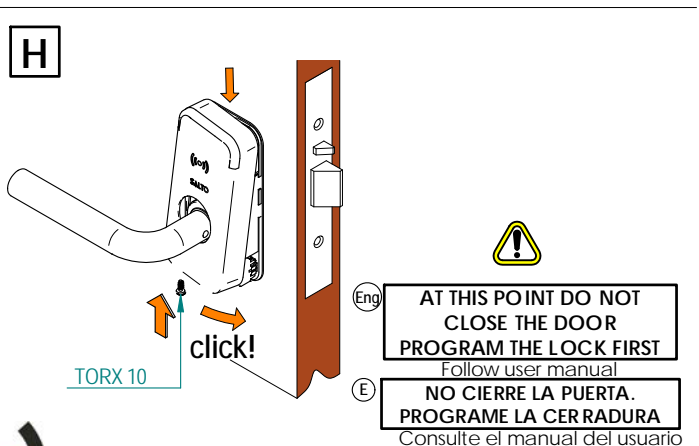
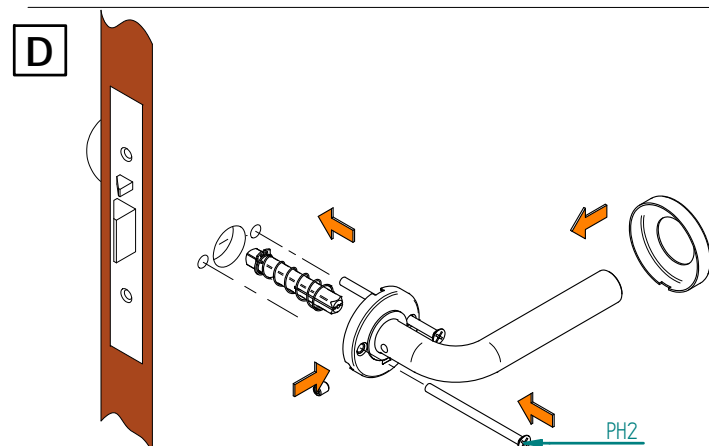
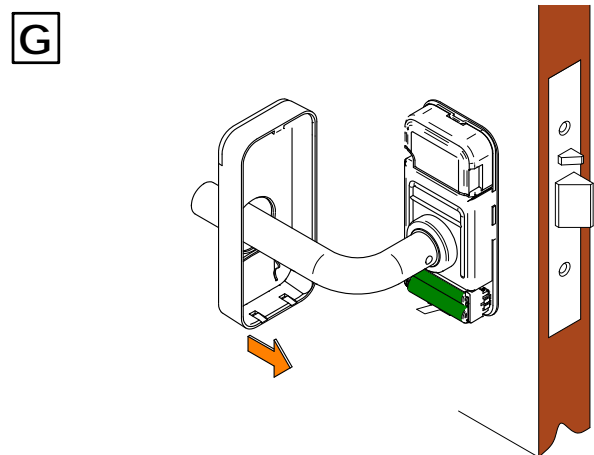
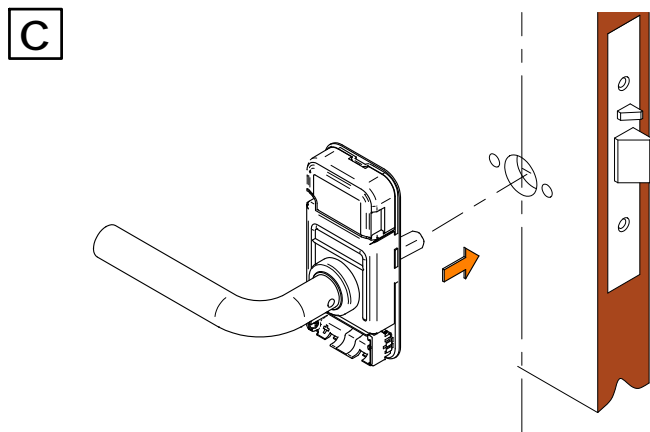
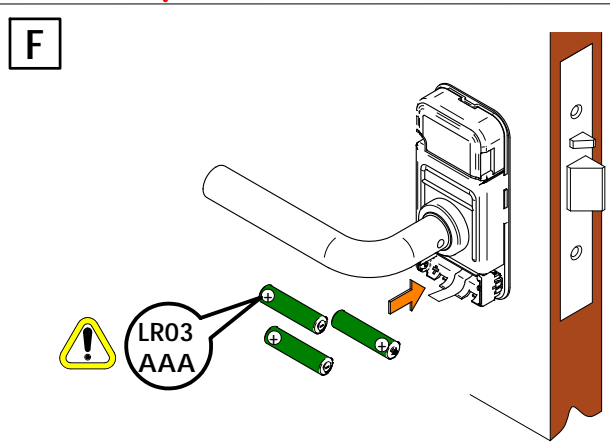
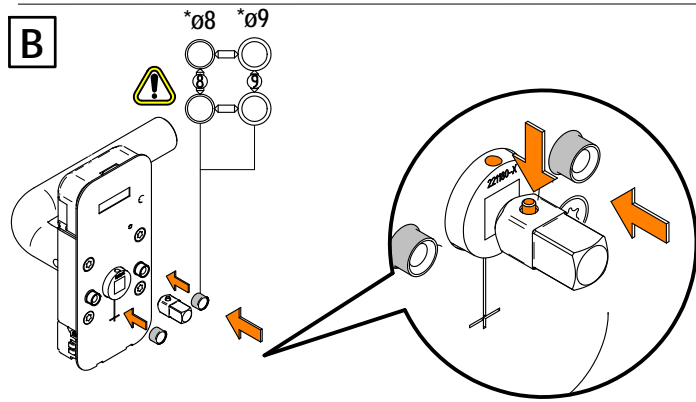
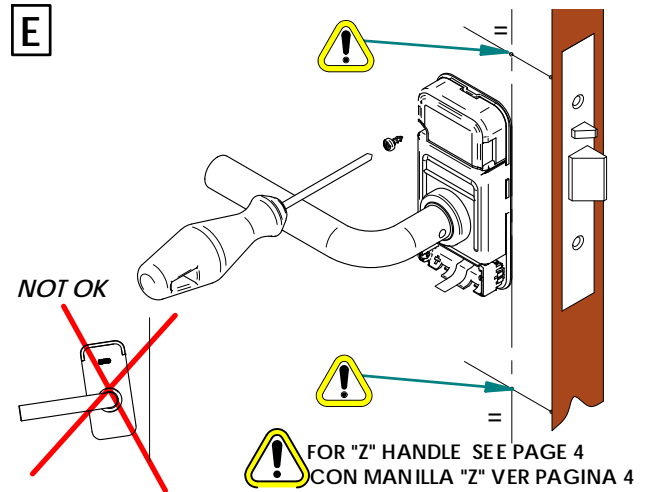
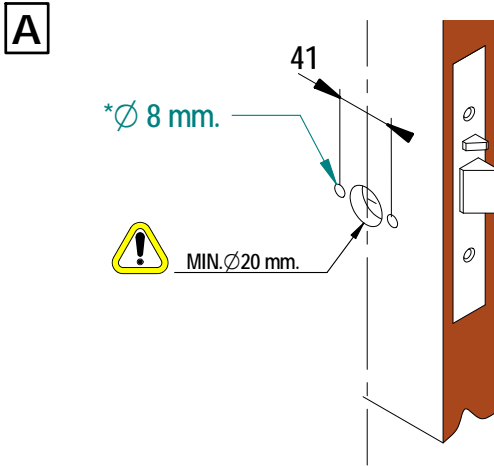
INSIDE SPINDLE REF. 1

- 1.-Measure from the inside door face to mortise lock case (Ci)
- 2.- Cut Inside Spindle -> $Li = Ci + 35mm$

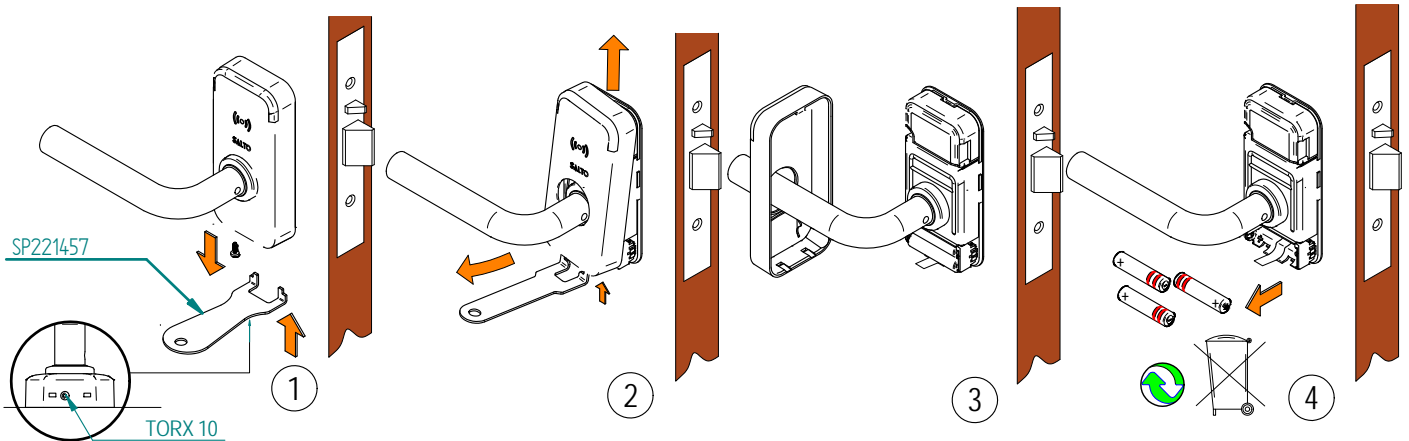


*NOTE: This cut for the Outside Spindle must be done with accuracy of $\pm 1mm$

Eng Installation E Instalación

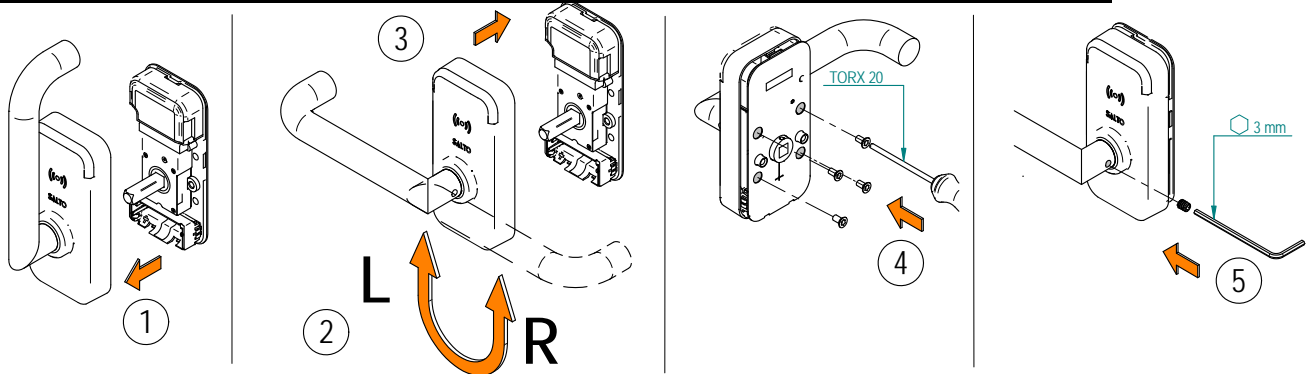


Eng Battery change **E** *Sustitución de las pilas*

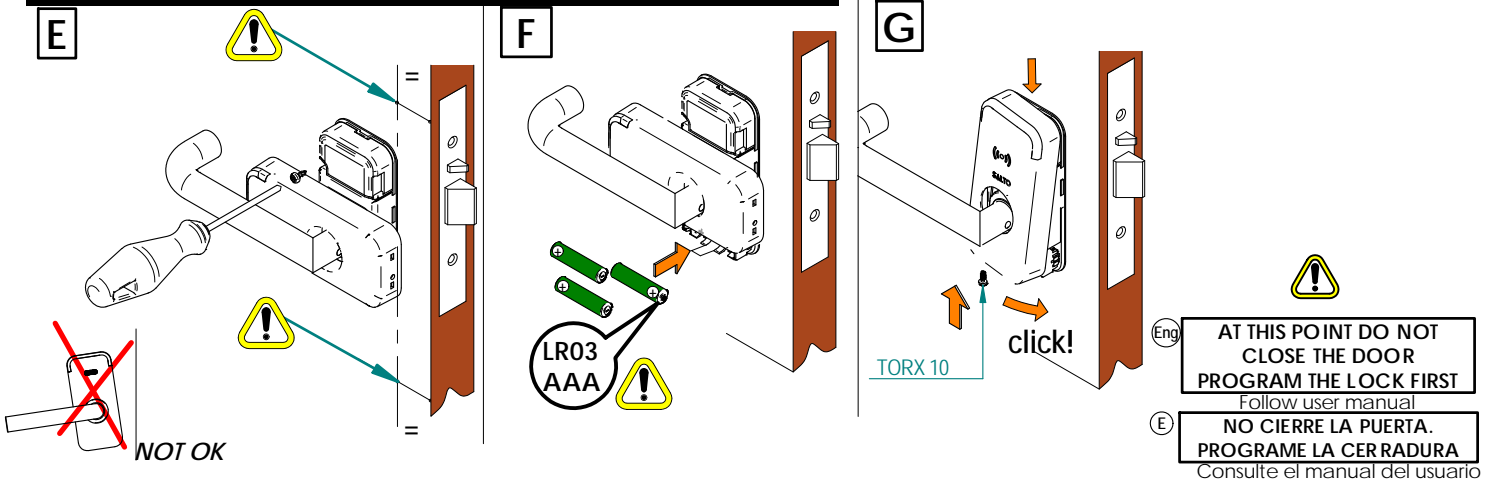


Eng DETAILS FOR INSTALLATION WITH "Z" HANDLE
SELECT HANDING

E DETALLES PARA UNA INSTALACIÓN CON MANILLA "Z"
SELECCIONE MANO



Eng Installation with "Z" handle **E** *Instalación con manilla "Z"*



Eng Battery change with "Z" handle **E** *Sustitución de las pilas con manilla "Z"*

