

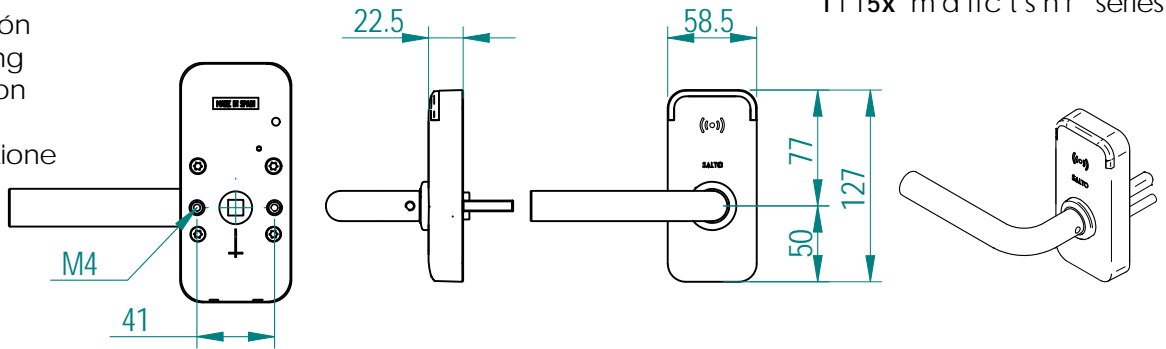
# Installation guide XS4Mini

For SALTO Tubular latch with handle fastening holes (41 mm)

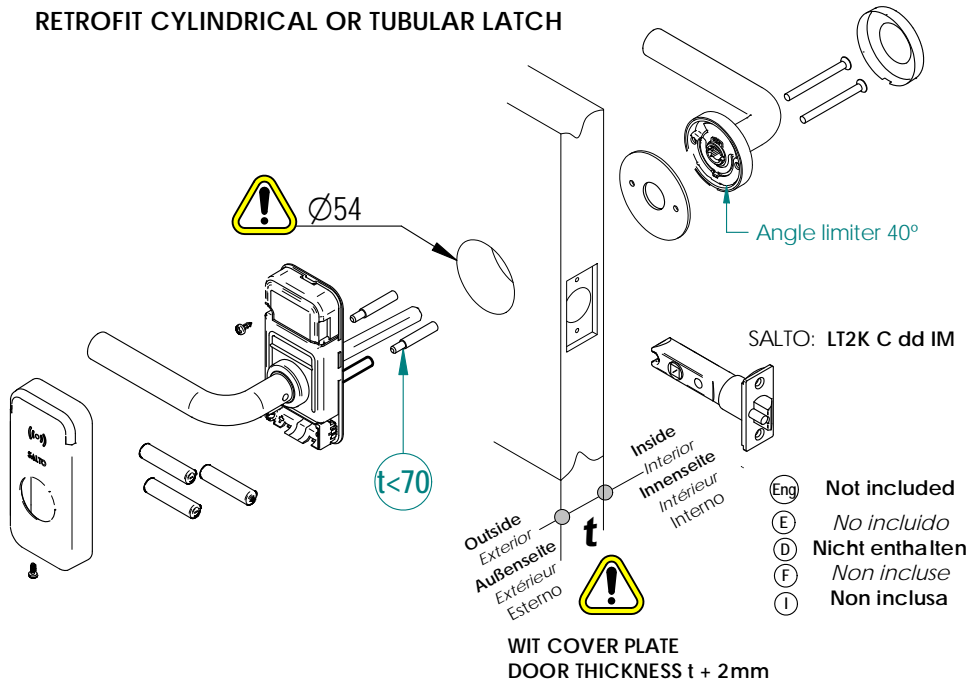
**SALTO**  
inspired access

- Ⓔ Installation guide
- Ⓔ Guía de instalación
- Ⓔ Montageanleitung
- Ⓔ Guide d'installation
- Ⓔ Handleiding
- Ⓔ Guida all'installazione

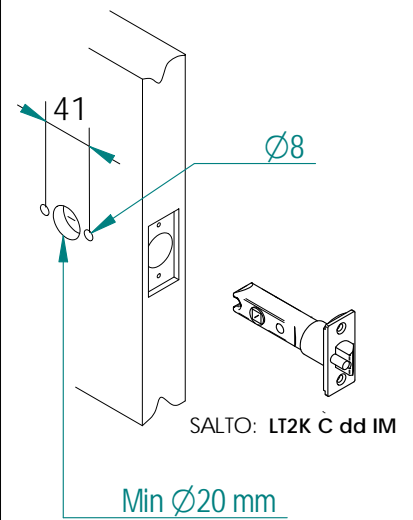
Ti 15x m d ffc t s h r series



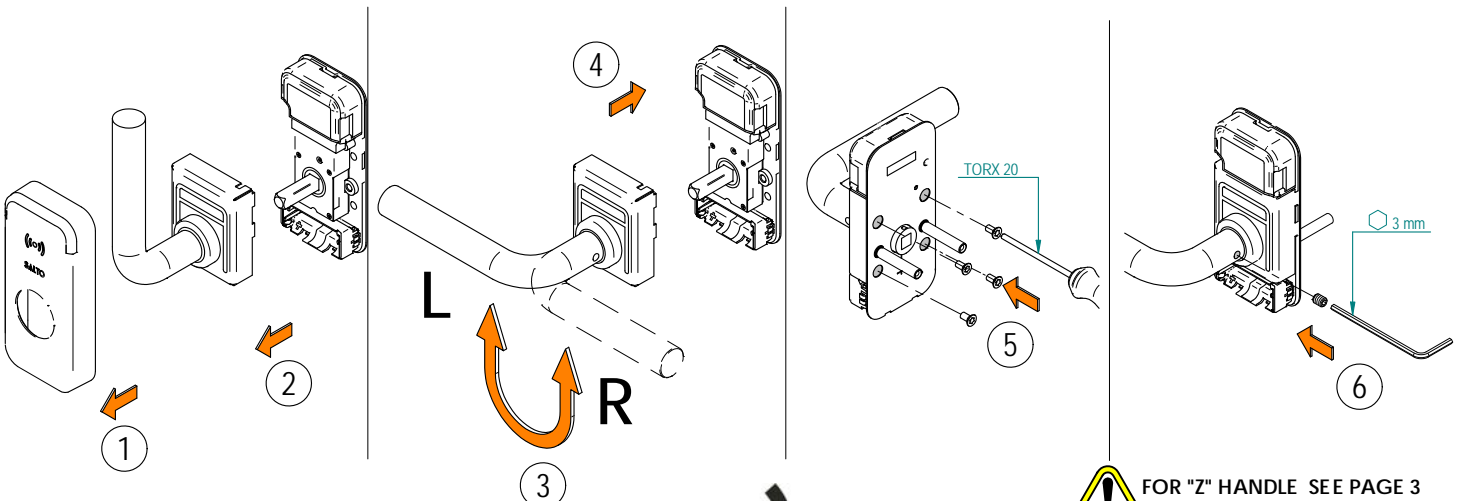
## STANDARD DOOR RETROFIT CYLINDRICAL OR TUBULAR LATCH



## NEW DOOR PREPARATION



Ⓔ SELECT HANDING Ⓔ SELECCIONE MANO Ⓔ DRÜCKERRICHTUNG WÄHLEN  
Ⓔ CHOISIR LE SENS DE LA POIGNÉE Ⓔ KIES DRAAIRICHTING Ⓔ SELEZIONARE IL VERSO



⚠️ FOR "Z" HANDLE SEE PAGE 3  
CON MANILLA "Z" VER PAGINA 3

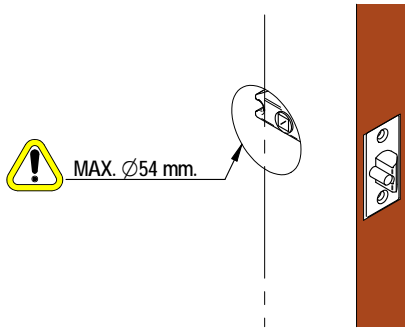
# Installation guide XS4Mini

For SALTO Tubular latch with handle fastening holes (41 mm)

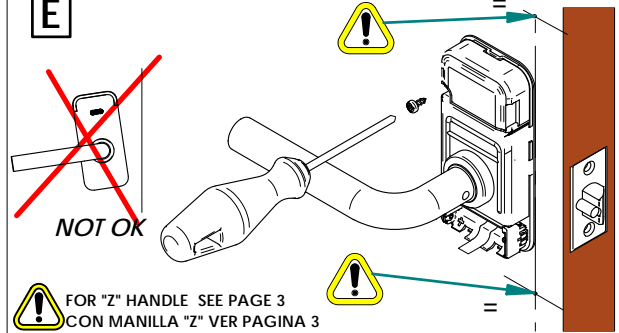
**SALTO**  
inspired access

Eng Installation E Instalacion D Montage F Installation NL Handleidig I Montaggio

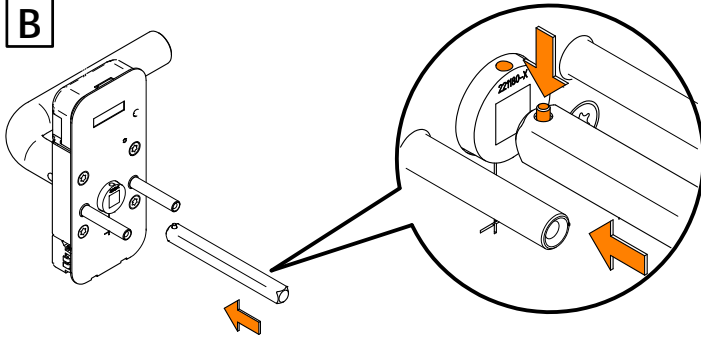
**A**



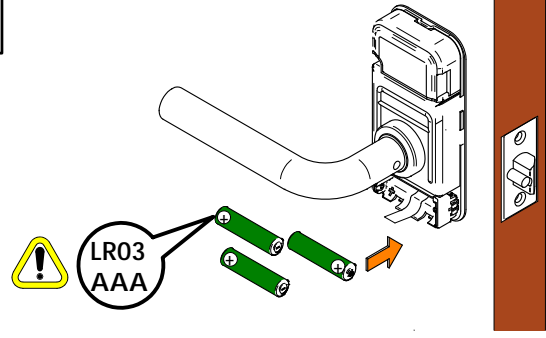
**E**



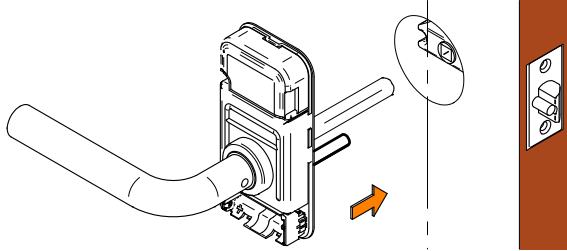
**B**



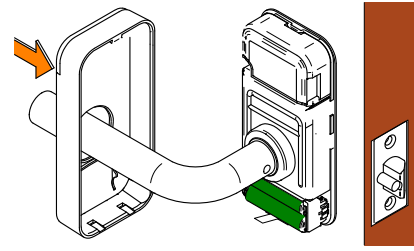
**F**



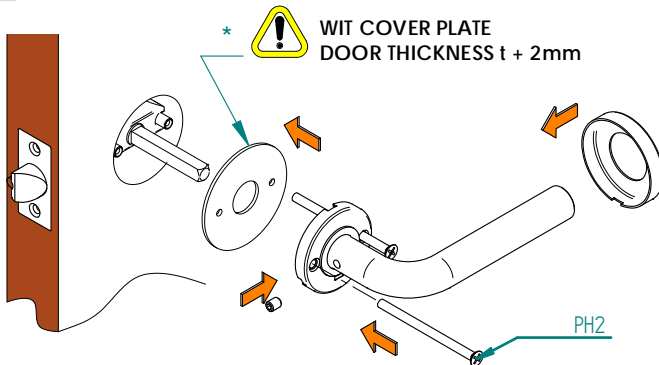
**C**



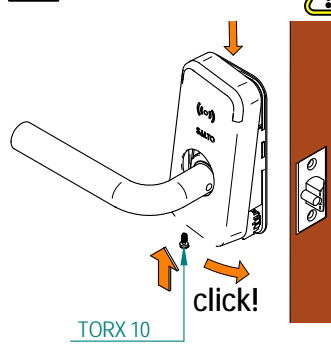
**G**



**D**



**H**

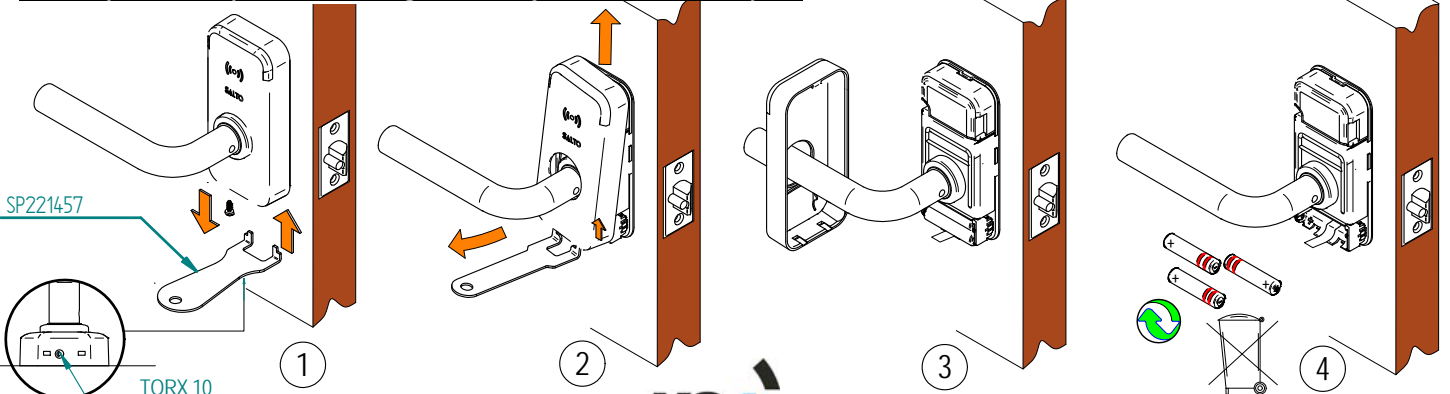


- Eng** AT THIS POINT DO NOT CLOSE THE DOOR PROGRAM THE LOCK FIRST  
Follow user manual
- E** NO CIERRE LA PUERTA. PROGRAME LA CERRADURA  
Consulte el manual del usuario
- D** TÜR NICHT SCHLIESSEN. ZUERST SCHLOSS PROGRAMMIEREN  
Folgen Sie dem Benutzerhandbuch
- F** NE FERMEZ PAS LA PORTE. PROGRAMMEZ LA BÉQUILLE AVANT  
Consultez le manuel utilisateur
- I** PROGRAMARE LA SERRATURA PRIMA DI CHIUDERE LA PORTA.  
Consultare il manuale utente

\*Only for retrofit

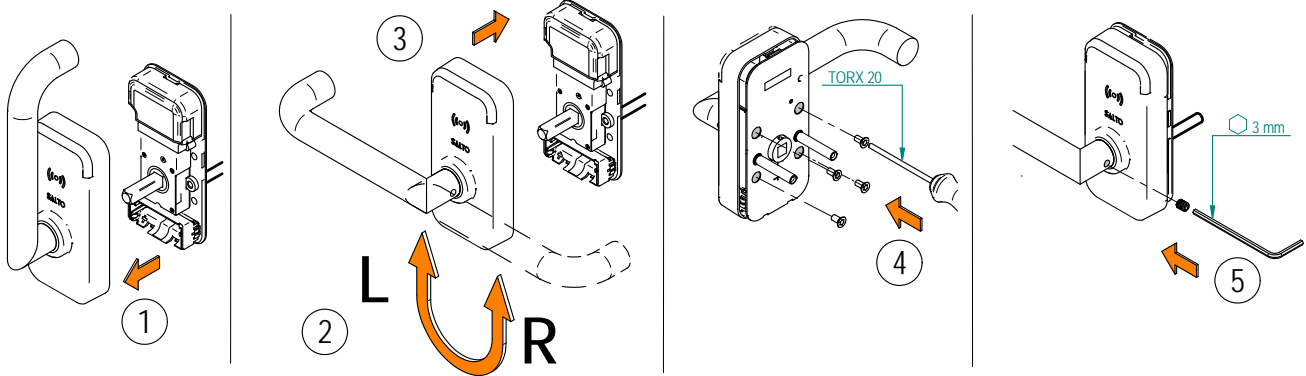
Eng Battery change E Sustitucion de las pilas D Batterie tauschen F Remplacer les piles NL Vervangen batterij I Sostituzione la pila

FOR "Z" HANDLE SEE PAGE 3 CON MANILLA "Z" VER PAGINA 3

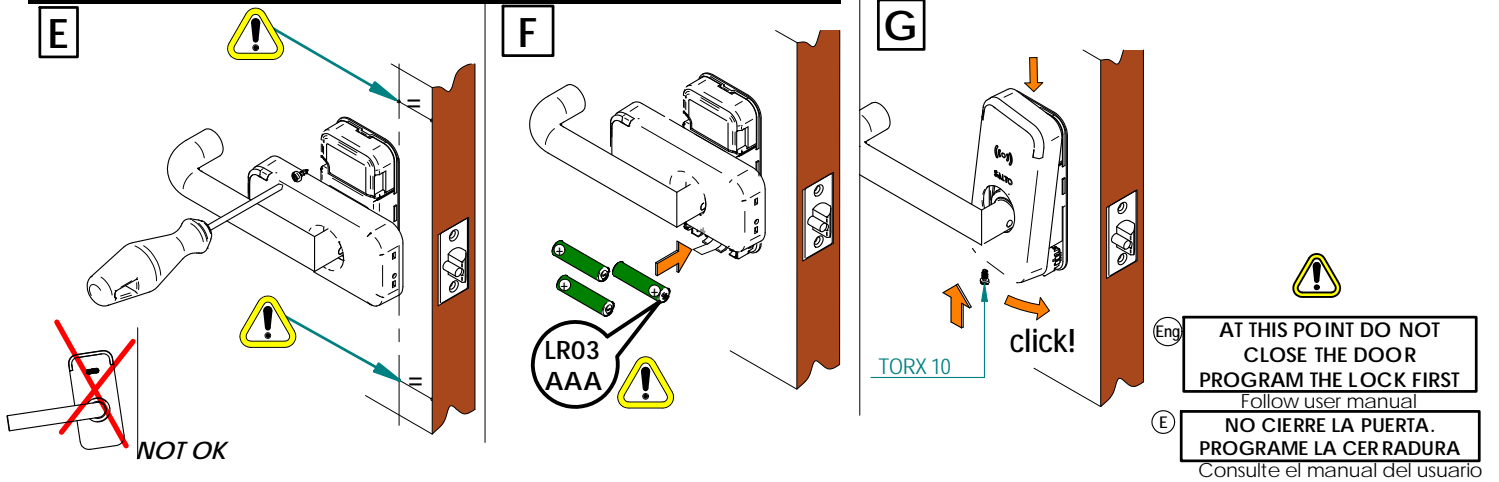


**Eng** DETAILS FOR INSTALLATION WITH "Z" HANDLE **E** SELECCION MANO

**E** DETALLES PARA UNA INSTALACIÓN CON MANILLA "Z" **E** SELECCION MANO



**Eng** Installation with "Z" handle **E** Instalación con manilla "Z"



**Eng** Battery change with "Z" handle **E** Sustitución de las pilas con manilla "Z"

