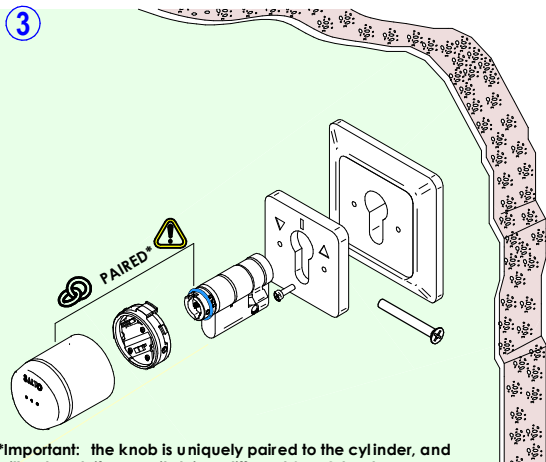
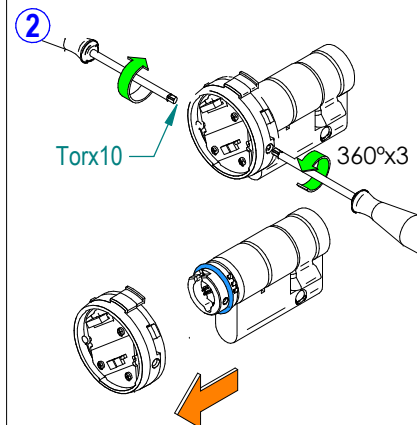
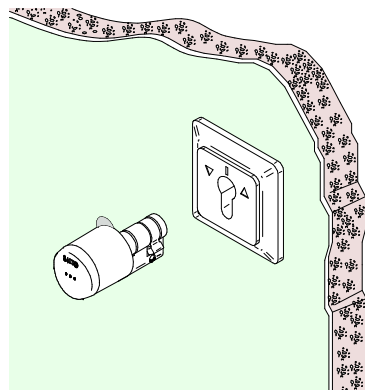
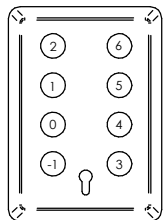


E1/U1



*Important: the knob is uniquely paired to the cylinder, and will not work if you switch in a different SALTO knob.

