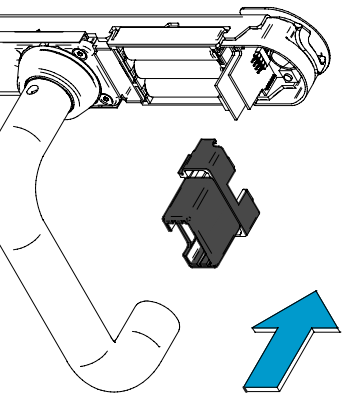


## Wireless Antenna Kit

**SALTO** wireless  
real-time access control  
\_RFMODULEW01



Wireless Antenna Kit:  
SALTO XS4 Wireless antenna.

**(Eng)** Kit to convert stand-alone escutcheons

into wireless escutcheons.

Note: Just off-line convertible escutcheons

**(Esp)** Kit para convertir un escudo off-line

can be upgraded to wireless.

en un escudo wireless on-line.

Nota: Únicamente los escudos off-line convertibles

pueden ser convertidos en escudos wireless on-line.

**(Fr)** Kit pour convertir les béquilles électro-

ques off-line en béquilles on-line sans fils.

Note: Uniquement les béquilles électroniques

off-line convertibles peuvent être converties

en on-line sans fil.

**(Ger)** Kit zur Umrüstung von Offline-Beschläge

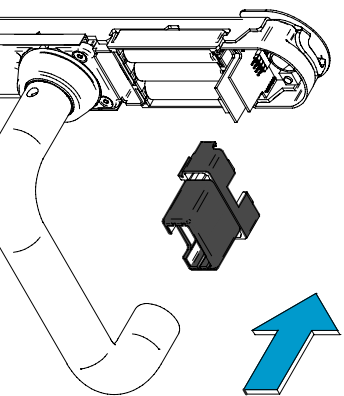
zu Wireless-Beschlägen.

Anmerkung: Nur konvertierbare Offline-Beschläge

können zu Wireless-Beschlägen aufgerüstet werden.

## Wireless Antenna Kit

**SALTO** wireless  
real-time access control  
\_RFMODULEW01



Wireless Antenna Kit:  
SALTO XS4 Wireless antenna.

**(Eng)** Kit to convert stand-alone escutcheons

into wireless escutcheons.

Note: Just off-line convertible escutcheons

**(Esp)** Kit para convertir un escudo off-line

can be upgraded to wireless.

en un escudo wireless on-line.

Nota: Únicamente los escudos off-line convertibles

pueden ser convertidos en escudos wireless on-line.

**(Fr)** Kit pour convertir les béquilles électro-

ques off-line en béquilles on-line sans fils.

Note: Uniquement les béquilles électroniques

off-line convertibles peuvent être converties

en on-line sans fil.

**(Ger)** Kit zur Umrüstung von Offline-Beschläge

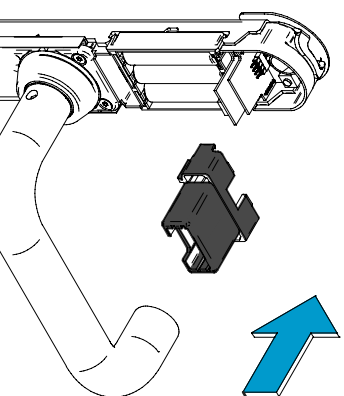
zu Wireless-Beschlägen.

Anmerkung: Nur konvertierbare Offline-Beschläge

können zu Wireless-Beschlägen aufgerüstet werden.

## Wireless Antenna Kit

**SALTO** wireless  
real-time access control  
\_RFMODULEW01



Wireless Antenna Kit:  
SALTO XS4 Wireless antenna.

**(Eng)** Kit to convert stand-alone escutcheons

into wireless escutcheons.

Note: Just off-line convertible escutcheons

**(Esp)** Kit para convertir un escudo off-line

can be upgraded to wireless.

en un escudo wireless on-line.

Nota: Únicamente los escudos off-line convertibles

pueden ser convertidos en escudos wireless on-line.

**(Fr)** Kit pour convertir les béquilles électro-

ques off-line en béquilles on-line sans fils.

Note: Uniquement les béquilles électroniques

off-line convertibles peuvent être converties

en on-line sans fil.

**(Ger)** Kit zur Umrüstung von Offline-Beschläge

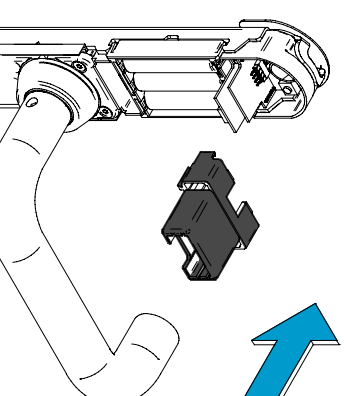
zu Wireless-Beschlägen.

Anmerkung: Nur konvertierbare Offline-Beschläge

können zu Wireless-Beschlägen aufgerüstet werden.

## Wireless Antenna Kit

**SALTO** wireless  
real-time access control  
\_RFMODULEW01



Wireless Antenna Kit:  
SALTO XS4 Wireless antenna.

**(Eng)** Kit to convert stand-alone escutcheons

into wireless escutcheons.

Note: Just off-line convertible escutcheons

**(Esp)** Kit para convertir un escudo off-line

can be upgraded to wireless.

en un escudo wireless on-line.

Nota: Únicamente los escudos off-line convertibles

pueden ser convertidos en escudos wireless on-line.

**(Fr)** Kit pour convertir les béquilles électro-

ques off-line en béquilles on-line sans fils.

Note: Uniquement les béquilles électroniques

off-line convertibles peuvent être converties

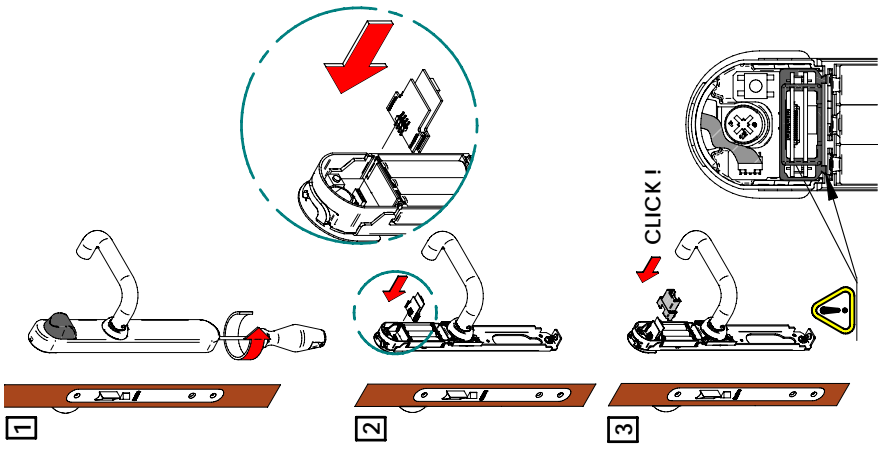
en on-line sans fil.

**(Ger)** Kit zur Umrüstung von Offline-Beschläge

zu Wireless-Beschlägen.

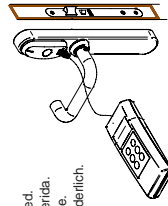
Anmerkung: Nur konvertierbare Offline-Beschläge

können zu Wireless-Beschlägen aufgerüstet werden.



4

Initialization required.  
Iniciación requerida.  
Initialisation requise.  
Initialisierung erforderlich.

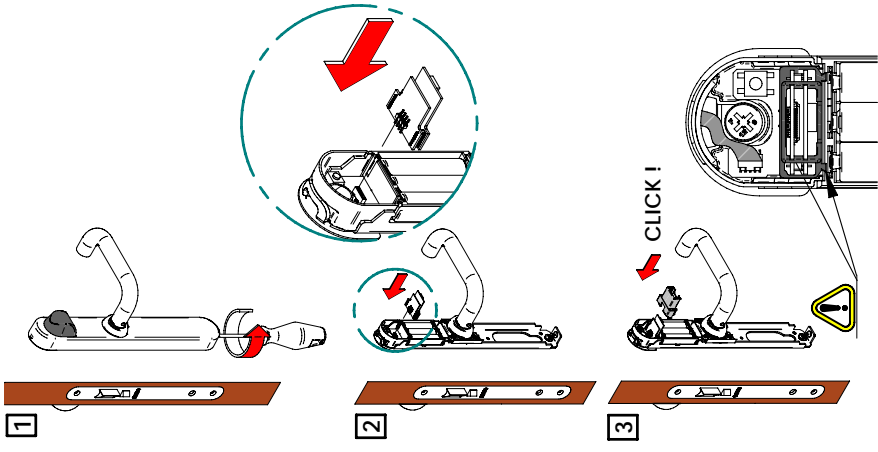


[www.saltosystems.com](http://www.saltosystems.com)

**SALTO**  
Inspirecinos

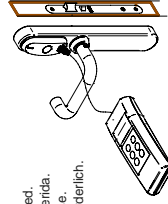
NOTE:  
This device complies with part 15 of the FCC Rules. Operation is subject to the following two conditions: (1) This device may not cause harmful interference, and (2) this device must accept any interference received, including interference that may cause undesired operation.  
Note: This equipment has been tested and found to comply with the limits for a Class A digital device, pursuant to part 15 of the FCC Rules. These limits are designed to provide reasonable protection against harmful interference when the equipment is operated in a commercial environment. This equipment generates, uses, and can radiate radio frequency energy and, if not installed and used in accordance with the instruction manual, may cause harmful interference to radio communications. Operation of this equipment in residential areas is likely to cause harmful interference in which case the user will be required to correct the interference at his own expense.

220442 -ED0 -25/03/2011



4

Initialization required.  
Iniciación requerida.  
Initialisation requise.  
Initialisierung erforderlich.

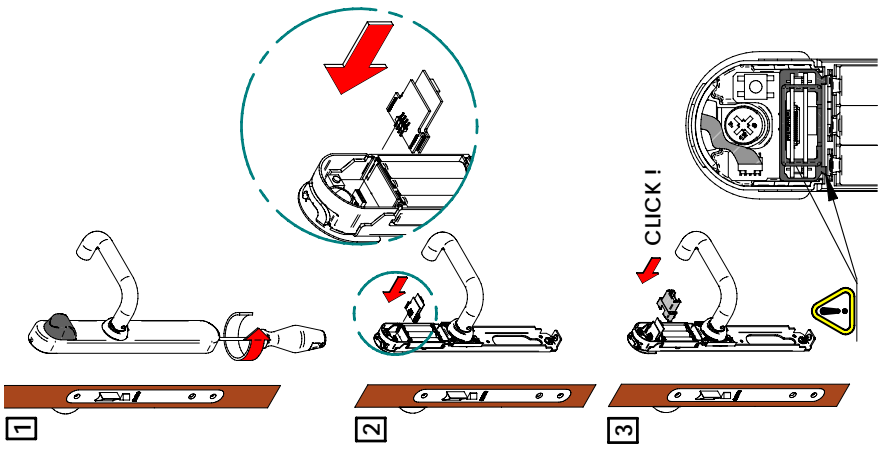


[www.saltosystems.com](http://www.saltosystems.com)

**SALTO**  
Inspirecinos

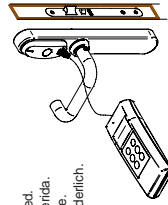
NOTE:  
This device complies with part 15 of the FCC Rules. Operation is subject to the following two conditions: (1) This device may not cause harmful interference, and (2) this device must accept any interference received, including interference that may cause undesired operation.  
Note: This equipment has been tested and found to comply with the limits for a Class A digital device, pursuant to part 15 of the FCC Rules. These limits are designed to provide reasonable protection against harmful interference when the equipment is operated in a commercial environment. This equipment generates, uses, and can radiate radio frequency energy and, if not installed and used in accordance with the instruction manual, may cause harmful interference to radio communications. Operation of this equipment in residential areas is likely to cause harmful interference in which case the user will be required to correct the interference at his own expense.

220442 -ED0 -25/03/2011



4

Initialization required.  
Iniciación requerida.  
Initialisation requise.  
Initialisierung erforderlich.



[www.saltosystems.com](http://www.saltosystems.com)

**SALTO**  
Inspirecinos

NOTE:  
This device complies with part 15 of the FCC Rules. Operation is subject to the following two conditions: (1) This device may not cause harmful interference, and (2) this device must accept any interference received, including interference that may cause undesired operation.  
Note: This equipment has been tested and found to comply with the limits for a Class A digital device, pursuant to part 15 of the FCC Rules. These limits are designed to provide reasonable protection against harmful interference when the equipment is operated in a commercial environment. This equipment generates, uses, and can radiate radio frequency energy and, if not installed and used in accordance with the instruction manual, may cause harmful interference to radio communications. Operation of this equipment in residential areas is likely to cause harmful interference in which case the user will be required to correct the interference at his own expense.

220442 -ED0 -25/03/2011