

Installation guide Ei5xx...

- ⓓ Montageanleitung - Montagereihenfolge
- ⓔ Installation guide - Installation sequence
- ⓔ Guía de instalación - Secuencia de instalación
- ⓔ Guide d'installation - Séquence d'installation
- ⓔ Guida all'installazione - Sequenza d'installazione

① ② ③ ⑨

- Ei 550 m RO ff t x h r series
- Ei 556 m RO ff t x h r
- Ei 5P0 m RO ff t x h r
- Ei 5P6 m RO ff t x h r
- Ei 550 m SH ff t x h r
- Ei 5P0 m SH ff t x h r

Ei 5xx m RO ff t x h r

ⓓ Rosettenbeschlag modelle

ⓔ ROSE Plate model

ⓔ Modelo Escudo Roseta

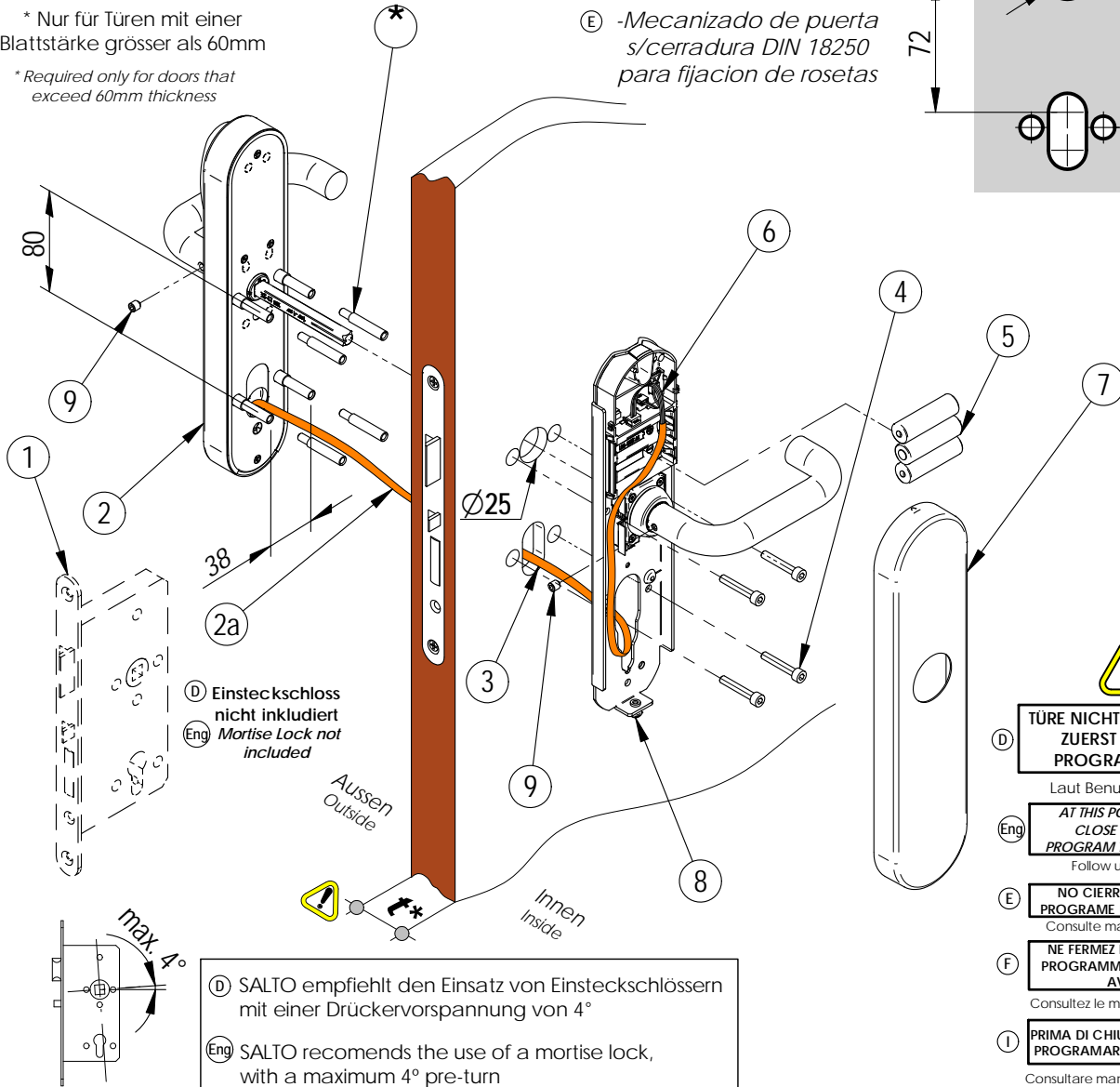
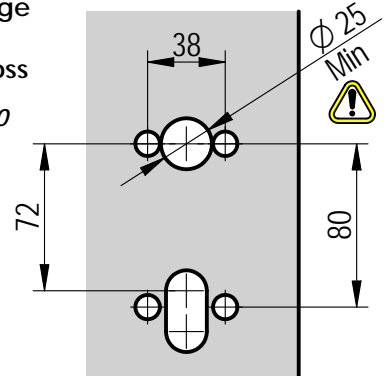
ⓓ * Nur für Türen mit einer Blattstärke grösser als 60mm

ⓔ * Required only for doors that exceed 60mm thickness

ⓓ -Bohrlochung für Montage von Rosettenbeschlag gemäss DIN 18250 Schloss

ⓔ -Door drilling for DIN 18250 fixing ROSE set type lock

ⓔ -Mecanizado de puerta s/cerradura DIN 18250 para fijacion de rosetas



ⓓ Einsteckschloss nicht inkludiert
ⓔ Mortise Lock not included

Ausssen
Outside

Innen
Inside

ⓓ SALTO empfiehlt den Einsatz von Einsteckschlössern mit einer Drückervorspannung von 4°
ⓔ SALTO recommends the use of a mortise lock, with a maximum 4° pre-turn

ⓓ TÜRE NICHT S CHLIESSEN. ZUERST SCHLOSS PROGRAMMIEREN
Laut Benutzerhandbuch

ⓔ AT THIS POINT DO NOT CLOSE THE DOOR PROGRAM THE LOCK FIRST
Follow user manual

ⓔ NO CIERRE LA PUERTA. PROGRAME LA CERRADURA
Consulte manual de usuario

ⓔ NE FERMEZ PAS LA PORTE. PROGRAMMEZ LA BÉQUILLE AVANT
Consultez le manuel d'utilisateur

ⓔ PRIMA DI CHIUDERE LA PORTA, PROGRAMARE LA SERRATURA
Consultare manuale delle istruzioni

ⓔ Declaration of conformity
By means of the present Salto Systems S.L. (Pol. Lanbarren C/Arkotz, 9 - 20180 Olartzun - Spain - CIF B20708517), declares that this equipment fulfills the essential requirements and any other applicable or indispensable dispositions of the Directive 1999/5/CE or the Directive 89/336/EEC. You will be able to find a copy of the original declaration of conformity at the following Internet address:
<http://www.saltosystems.com>

All proximity models are "Receiver class 3".

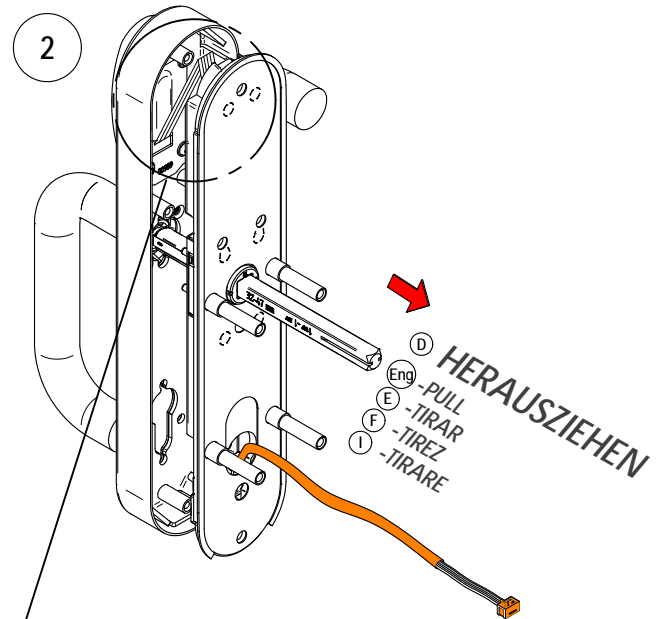
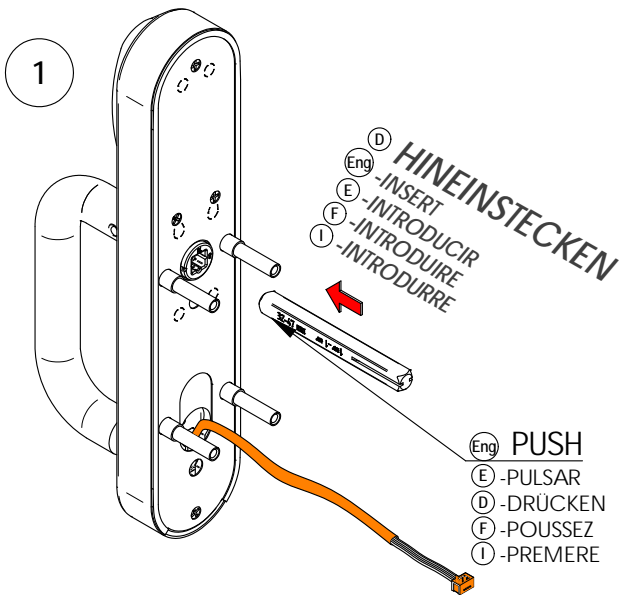
ⓔ Declaración de conformidad
Por medio de la presente Salto Systems S.L. (Pol. Lanbarren C/Arkotz, 9 - 20180 Olartzun - Spain - CIF B20708517), declara que este equipo cumple con los requisitos esenciales y cualesquiera otras disposiciones aplicables o exigibles de la Directiva 1999/5/CE o la Directiva 89/336/EEC. Podrá encontrar una copia de la declaración de conformidad original en la siguiente dirección de Internet:
<http://www.saltosystems.com>

Todos los modelos de proximidad son "Receiver class 3".

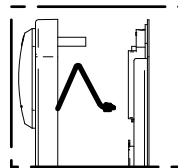
ONLY FOR PROXIMITY MODELS

Note: This equipment has been tested and found to comply with the limits for a Class B digital device, pursuant to part 15 of the FCC Rules. These limits are designed to provide reasonable protection against harmful interference in a residential installation. This equipment generates, uses, and can radiate radio frequency energy and, if not installed and used in accordance with the instructions may cause harmful interference to radio communications. However, there is no guarantee that interference will not occur in a particular installation. If this equipment does cause harmful interference to radio or television reception, which can be determined by turning the equipment off and on, the user is encouraged to try to correct the interference by one or more of the following measures:

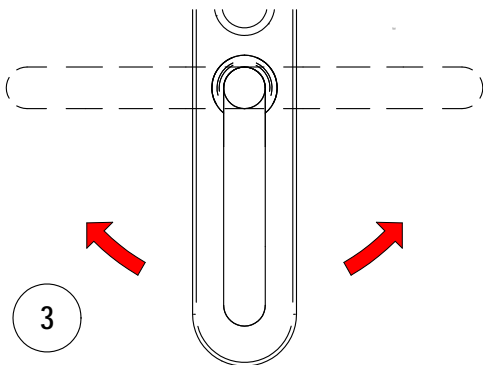
- Reorient or relocate the receiving antenna.
- Increase the separation between the equipment and receiver.
 - Connect the equipment into an outlet on a circuit different from that to which the receiver is connected.
 - Consult the dealer or an experienced radio/TV technician for help.



- D -Achtung!
- Eng -Caution
- E -Atención
- F -Attention
- I -Attenzione

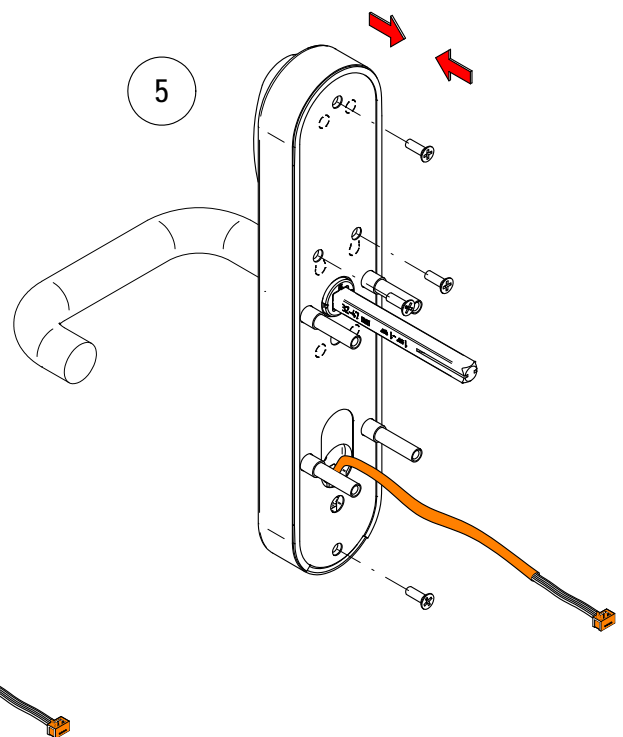
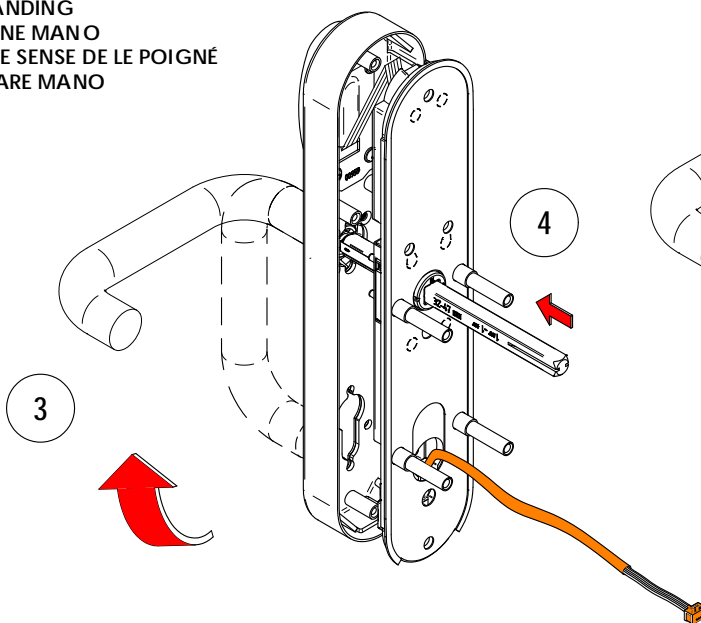


- D -Verbindung nicht unterbrechen
- Eng -Do not disconnect
- E -No desconectar
- F -Ne pas déconnecter
- I -No scollegare



D DRÜCKERRICHTUNG WÄHLEN

- Eng -SELECT HANDING
- E -SELECCIONE MANO
- F -CHOISIR LE SENSE DE LE POIGNÉ
- I -SELEZIONARE MANO



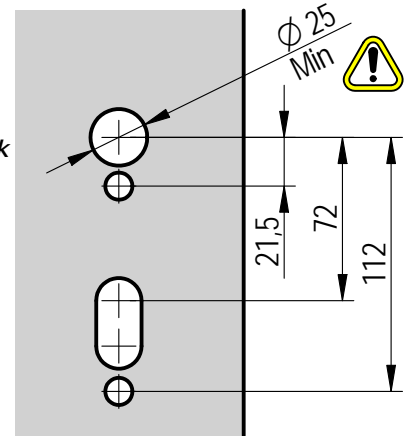
<p>A</p>	<p>E</p>	<p>I</p>
<p>B</p>	<p>F</p>	<p>D -GEGEN UHRZEIGERSINN FESTSCHRAUBEN</p> <p>Eng -TO FIX: COUNTER-CLOCKWISE E -FIJACION: GIRAR SENTIDO ANTIHORARIO F -POUR FIXER, TOURNEZ EN SENS INVERSE DES AIGUILLES D'UNE MONTRE I -FISSAGGIO: GIRARE SENSO ANTIORARIO</p>
<p>C</p> <p>D Nicht OK Eng Not OK</p>	<p>G</p>	<p>J</p>
<p>D</p> <p>D Nur LR6 Batterien Eng Only LR6 Batteries</p>	<p>H</p>	<p>D TÜRE NICHT SCHLIESSEN. ZUERST SCHLOSS PROGRAMMIEREN Laut Benutzerhandbuch</p> <p>Eng AT THIS POINT DO NOT CLOSE THE DOOR PROGRAM THE LOCK FIRST Follow user manual</p> <p>E NO CIERRE LA PUERTA. PROGRAMME LA CERRADURA Consulte manual de usuario</p> <p>F NE FERMEZ PAS LA PORTE. PROGRAMMEZ LA BÉQUILLE AVANT Consultez le manuel d'utilisateur</p> <p>I PRIMA DI CHIUDERE LA PORTA, PROGRAMMARE LA SERRATURA Consultare manuale delle istruzioni</p>

Installation guide Ei5xxxSHxx..

- Ⓓ Montager Reihenfolge
- Ⓔ Installation sequence
- Ⓔ Secuencia de instalación
- Ⓔ Séquence d'installation
- Ⓔ Sequenza d'installazione

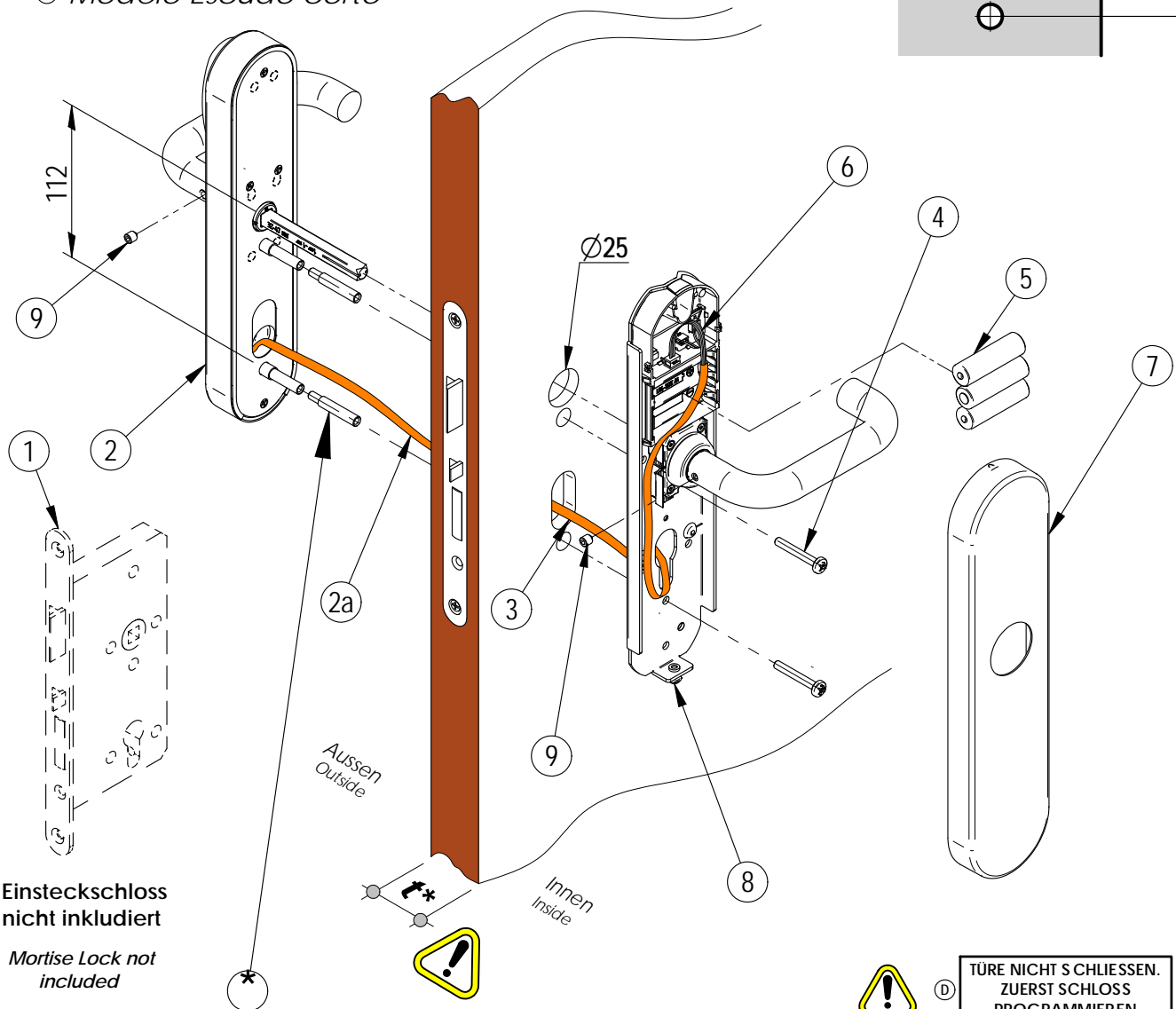
① ② ③ ⑨

- Ⓓ -Bohrlochung für Montage von Kurzshildbeschlag gemäss DIN 18250 Schloss
- Ⓔ -Door drilling for DIN 18250 fixing SHORT Plate set type lock
- Ⓔ -Mecanizado de puerta s/cerradura DIN 18250 para fijación de manillas de escudo corto



E i 5xx m SH ff t x h r

- Ⓓ Kurzshildbeschlag modelle
- Ⓔ SHORT Plate model
- Ⓔ Modelo Escudo corto



Einsteckschloss nicht inkludiert

Mortise Lock not included

Ⓓ * Nur für Türen mit einer Blattstärke grösser als 60mm

Ⓔ * Required only for doors that exceed 60mm thickness



- Ⓓ **TÜRE NICHT S CHLIESSEN. ZUERST SCHLOSS PROGRAMMIEREN**
Laut Benutzerhandbuch
- Ⓔ **AT THIS POINT DO NOT CLOSE THE DOOR PROGRAM THE LOCK FIRST**
Follow user manual
- Ⓔ **NO CIERRE LA PUERTA. PROGRAME LA CERRADURA**
Consulte manual de usuario
- Ⓔ **NE FERMEZ PAS LA PORTE. PROGRAMMEZ LA BÉQUILLE AVANT**
Consultez le manuel d'utilisateur
- Ⓔ **PRIMA DI CHIUDERE LA PORTA, PROGRAMARE LA SERRATURA**
Consultare manuale delle istruzioni