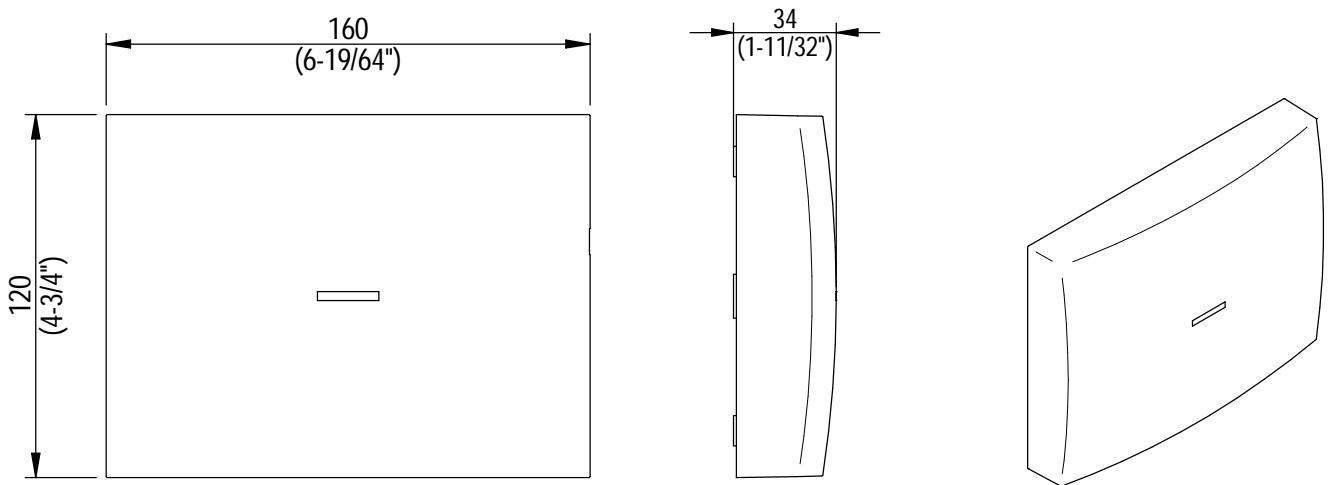


# Installation guide

## CU41xY Series Control Unit



Eng Electrical characteristics  
 E Características eléctricas  
 D Elektrische Eigenschaften  
F Specificationss électriques  
 P Caractéristiques eléctricas

User power supply input

|                  |                     |
|------------------|---------------------|
| V                | 12VDC +-10%         |
| I <sub>max</sub> | 300A (including WR) |

Load power output

|                  |             |
|------------------|-------------|
| V                | 12VDC +-10% |
| I <sub>max</sub> | 1A          |

Output relays

|                        |          |
|------------------------|----------|
| Rated load (resistive) | 2A-30VDC |
|------------------------|----------|

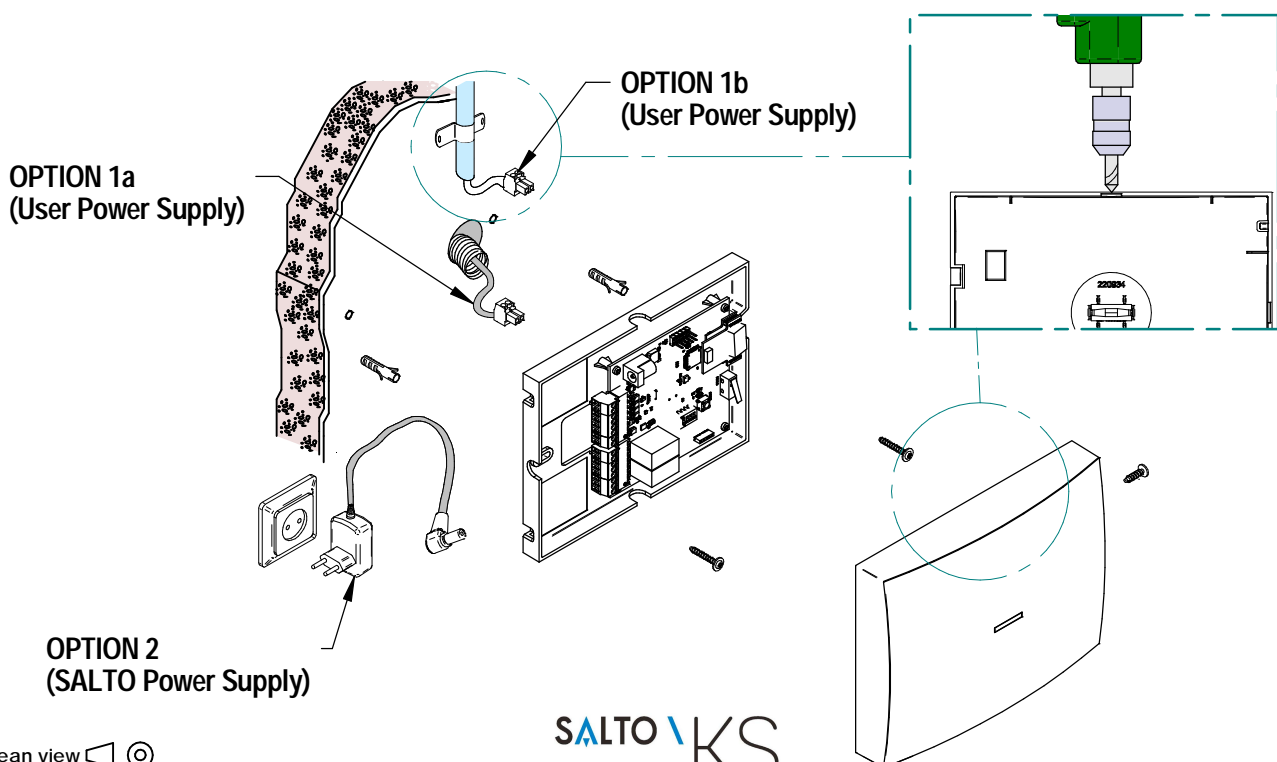
Operation conditions

|             | Min | Max | Unit |
|-------------|-----|-----|------|
| Temperature | 0   | 40  | °C   |

2.4Ghz RF Characteristics

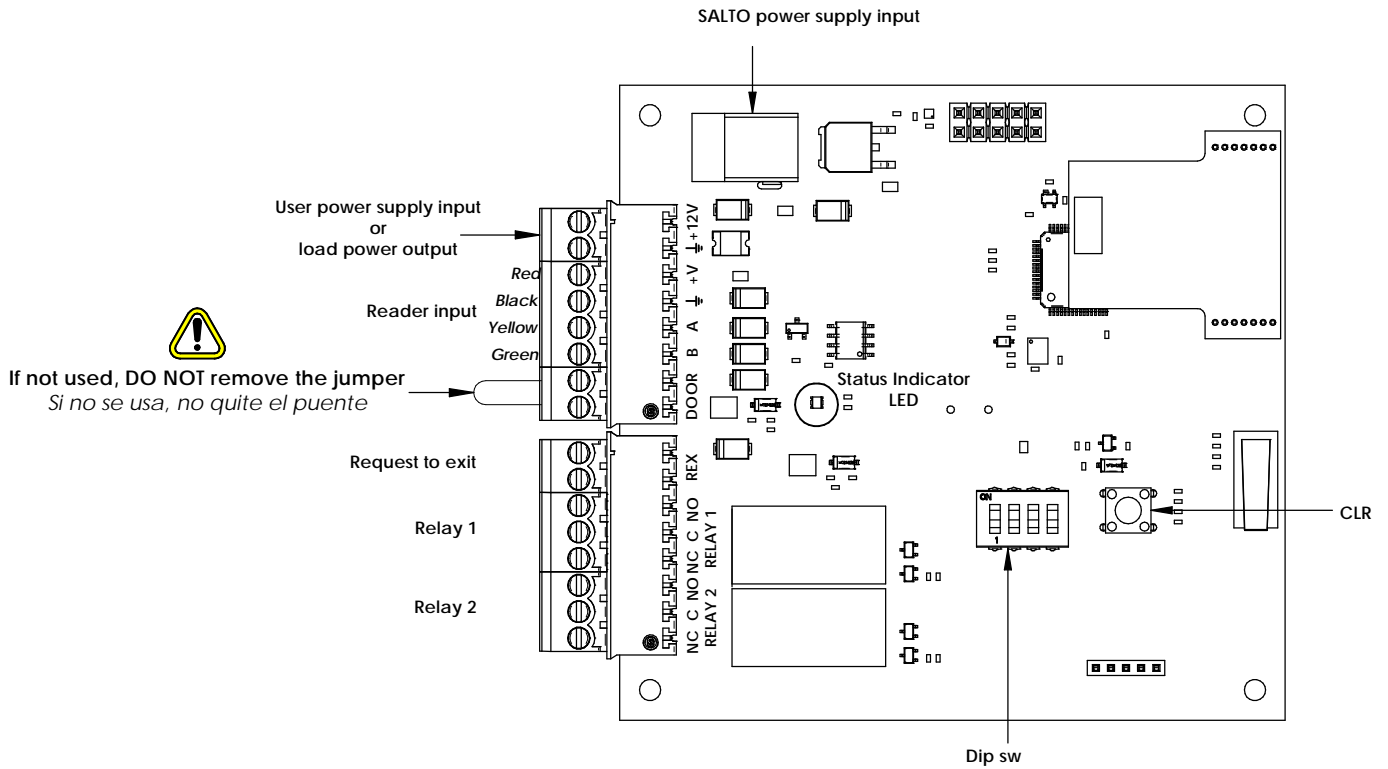
|                    |                            |
|--------------------|----------------------------|
| Frequency Range    | 2400-2483.5 Mhz (ISM band) |
| RF Standard        | IEEE 802.15.4              |
| Indoor Radio Range | 10/15m                     |
| Max. output power  | 5dBm                       |

Eng Mechanical installation  
 E Instalación mecánica  
 D Mechanische Montage  
F Installation mécanique  
 P Instalação mecânica

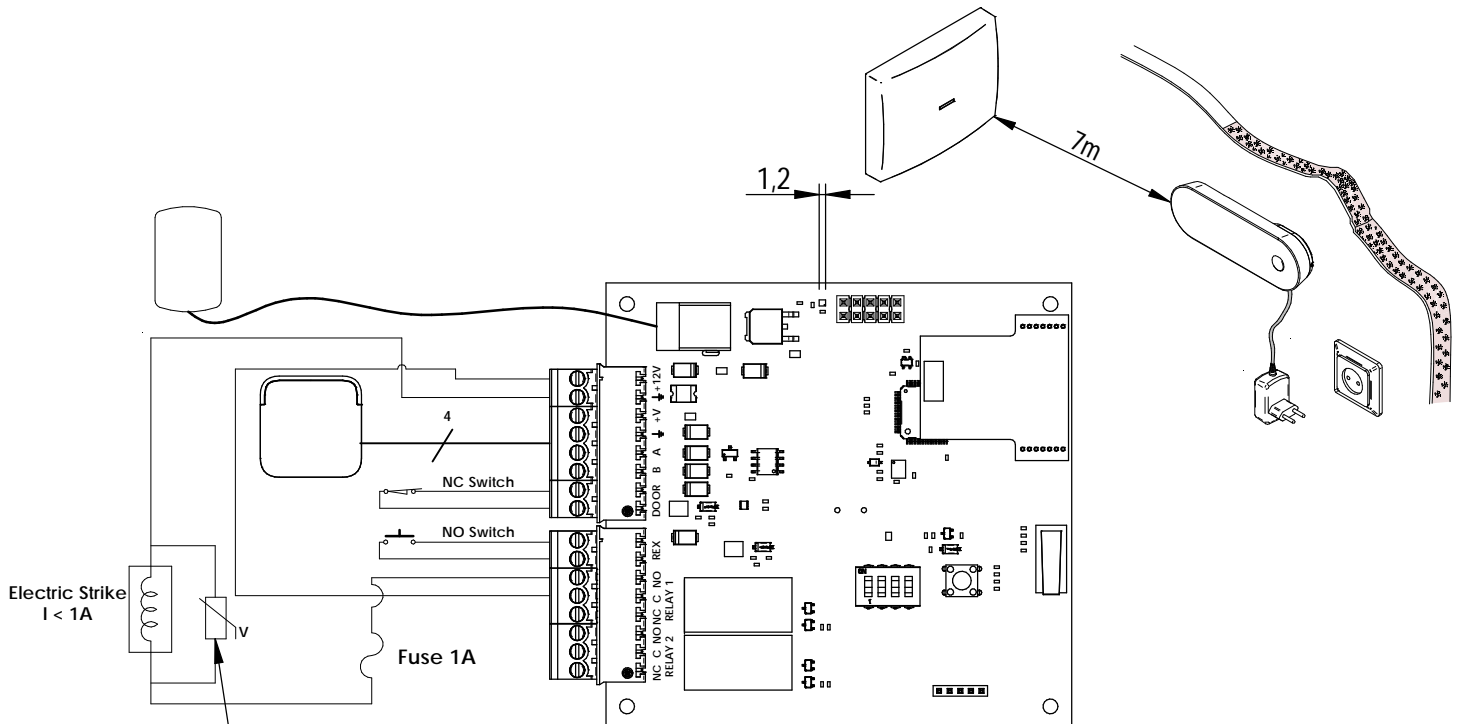


# Installation guide

## CU41xY Series Control Unit



Eng Installation example   
 E Ejemplo de instalación   
 D Installationsbeispiel  
F Exemple d'installation   
 P Exemplo de instalação



Eng In case of inductive load  
E En caso de carga inductiva  
D Im Falle einer induktiven Last  
F En cas de charge inductive  
P Em caso de carga inductiva

# Installation guide

## CU41xY Series Control Unit

Ⓔ Dip Switch configuration   
 Ⓔ Configuración Dip Switch   
 Ⓔ Dip Switch Konfiguration  
Ⓕ Configuration du Dip Switch   
 Ⓕ Configuração do Dip Switch

| Dipswitch 1-4 | Description  |  |
|---------------|--|--|
| 0000          | Follows Relay #1   | Intrusion alarm inhibited. In doors with inside handle, people can open the door without REX producing false intrusion alarms. |
| 0001          | Follows the door detector  |  |
| 0010          | Activated during 3 seconds when tag is rejected                      |  |
| 0011          | Intrusion or Tamper alarm  |  |
| 0100          | Door Left Open Alarm   |  |
| 0101          | Activated during 3 seconds when happens an offline tag authorization |  |
| 0110          | Alarm mode   | Offline behavior: Relay #2 will not be activated automatically on temper nor input #1 (DOOR)                                   |
| 0111          | Future use   |  |
| 1000          | Follows Relay #1   | Intrusion alarm enabled  |
| 1001          | Follows the door detector  |  |
| 1010          | Activated during 3 seconds when tag is rejected                      |  |
| 1011          | Intrusion or Tamper alarm  |  |
| 1100          | Door Left Open Alarm   |  |
| 1101          | Activated during 3 seconds when happens an offline tag authorization |  |
| 1110          | Alarm mode   | Offline behavior: Relay #2 will be automatically activated on tamper or input #1 (DOOR)  |
| 1111          | Future use   |  |

Firmware version 01.70 or never

Ⓔ LED Signalization   
 Ⓔ Señalización LED   
 Ⓔ LED Signalisierung   
 Ⓔ Signalisatino du LED  
Ⓕ Sinalização LED

| LED status |                       |
|------------|-----------------------|
| Green      | Connected to a IQ     |
| Red        | Not connected to a IQ |