

HEAVY DUTY DEADBOLT (GRADE 1)

FUNCTION CODE	ILLUSTRATION	OPERATIONS	ANSI Number	CYLINDER	DEADBOLT
51 Single Cylinder		Deadbolt operated by card from outside and by turn from inside	E2151	GiB3151N00CSBN 	LD51C70CS
41 Double Cylinder		Deadbolt operated by card from either side	E2141	GiB3141N00CSBN 	LD41C70CS
71 Classroom		Deadbolt operated by card from outside. Turn retracts deadbolt but does not project it	E2171	GiB3151N00CSBN 	LD71C70CS

SALTOGEO CYLINDER **G i B 3 1 l e N 0 0 C S B N r x**

FUNCTION CODE	
51	Single cylinder
41	Double Cylinder

R	STANDARD WATER RESISTANT
S	NORMAL SALLIS
Y	CLAY

Other finishes upon request

FUNCTION CODE	FUNCTION CODE
51 Single Cylinder 	41 Double Cylinder

SALTO DEADBOLT **LD xx C bb CS** (without cylinder)

FUNCTION CODE	
51	Single cylinder
41	Double Cylinder
71	Classroom

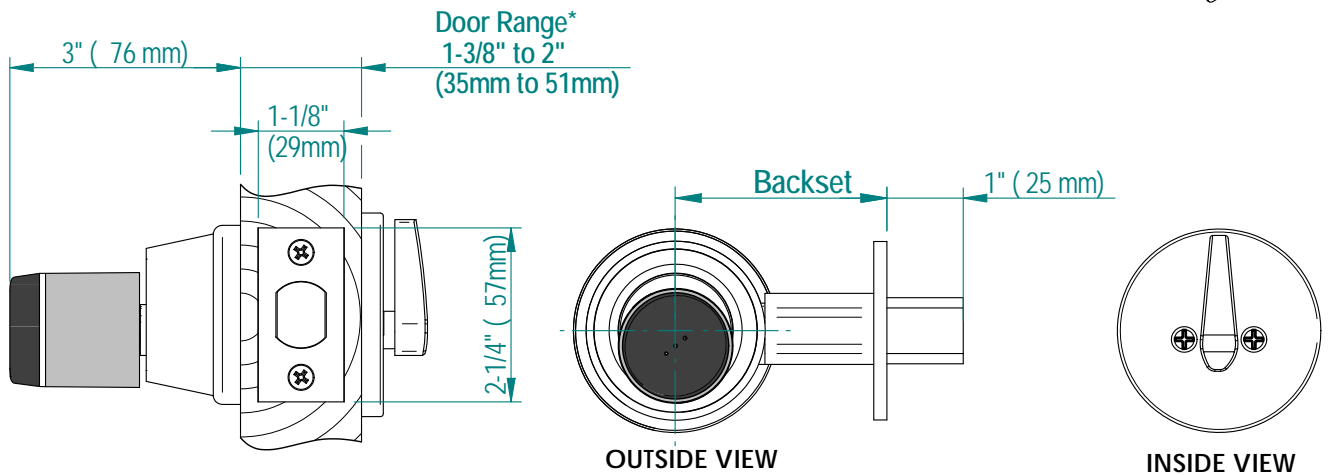
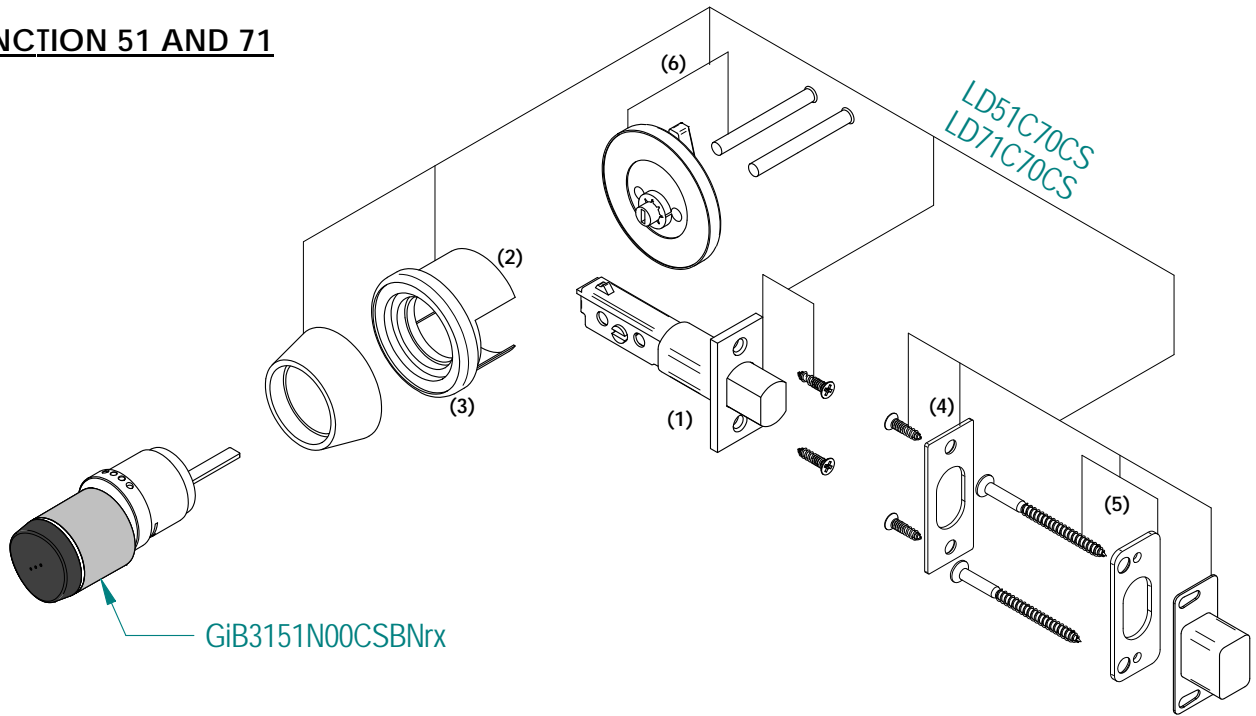
BACKSET	
70	2-3/4" (70mm) Standard
60	2-3/8" (60mm) Optional

Other finishes upon request

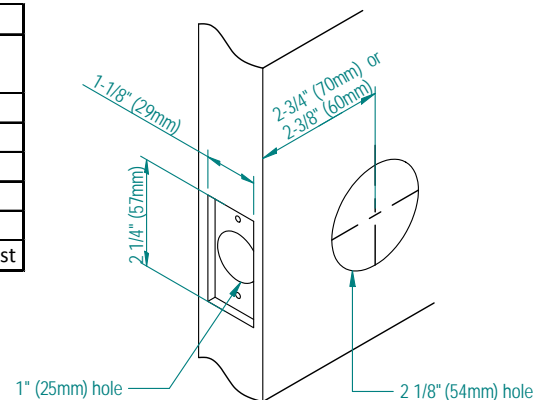
FUNCTION CODE	FUNCTION CODE
51 Single Cylinder 71 Classroom 	41 Double Cylinder

HEAVY DUTY DEADBOLT (GRADE 1)

FUNCTION 51 AND 71



DOOR PREPARATION

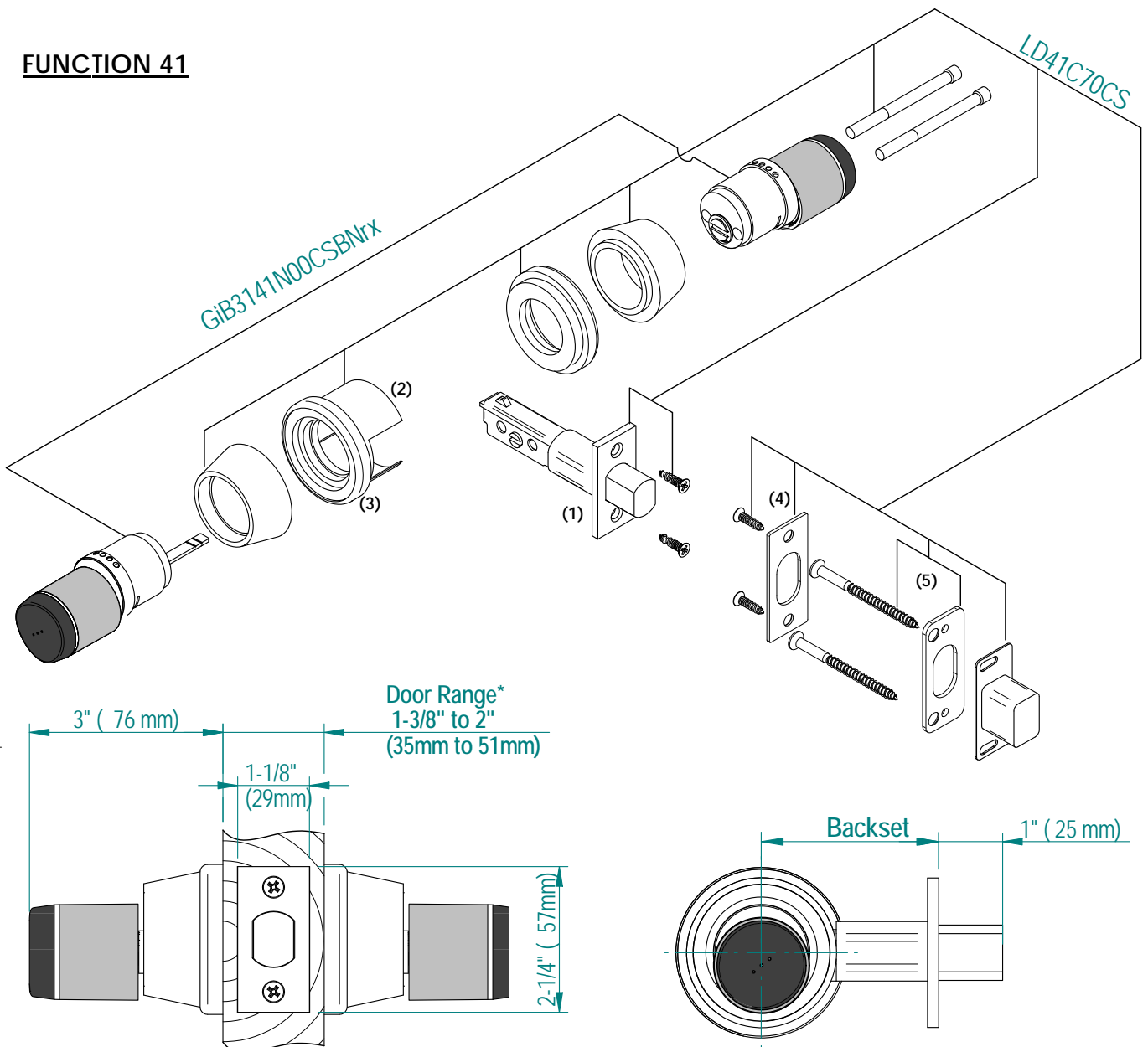


FEATURES

- | |
|--|
| (1) Deadbolt meets A156.36 grade 1 requirements
Stainless Steel deadbolt with 1" (25mm) throw |
| (2) Trim ring with protective sleeve protects the lock from attack through the door |
| (3) Trim ring protects lock from vertical attacks |
| (4) Square corner strike 1-1/8" x 2-1/4" (29mm x 70mm) with dustbox |
| (5) Heavy duty steel support plate with 3" wood screws to strengthen the wood jamb |
| (6) Reinforced turn knob assembly |
| Door Range: 1 3/8" to 2" (35mm to 51mm) Standard. *available to 2 1/2" (64mm) upon request |

HEAVY DUTY DEADBOLT (GRADE 1)

FUNCTION 41



FEATURES	
(1)	Deadbolt meets A156.36 grade 1 requirements Stainless Steel deadbolt with 1" (25mm) throw
(2)	Trim ring with protective sleeve protects the lock from attack through the door
(3)	Trim ring protects lock from vertical attacks
(4)	Square corner strike 1-1/4" x 2-1/4" (29mm x 70mm) with dustbox
(5)	Heavy duty steel support plate with 3" wood screws to strengthen the wood jamb
Door Range: 1 3/8" to 2" (35mm to 51mm) Standard. *Available to 2 1/2" (64mm) upon request	

DOOR PREPARATION

