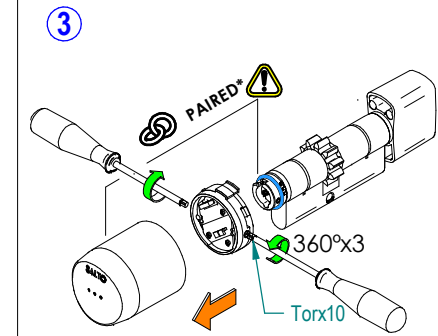
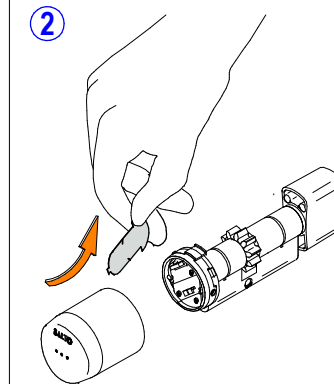
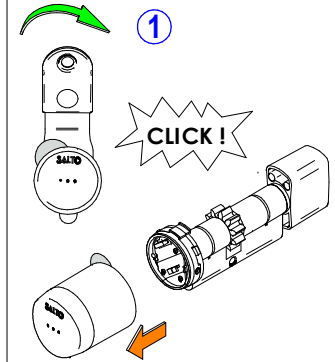


E1/E2/E3
H1/H2/H3

G xExlxx... G x... series
G xExlxx... Z x...



*Important: the knob is uniquely paired to the cylinder, and will not work if you switch in a different SALTO knob.

