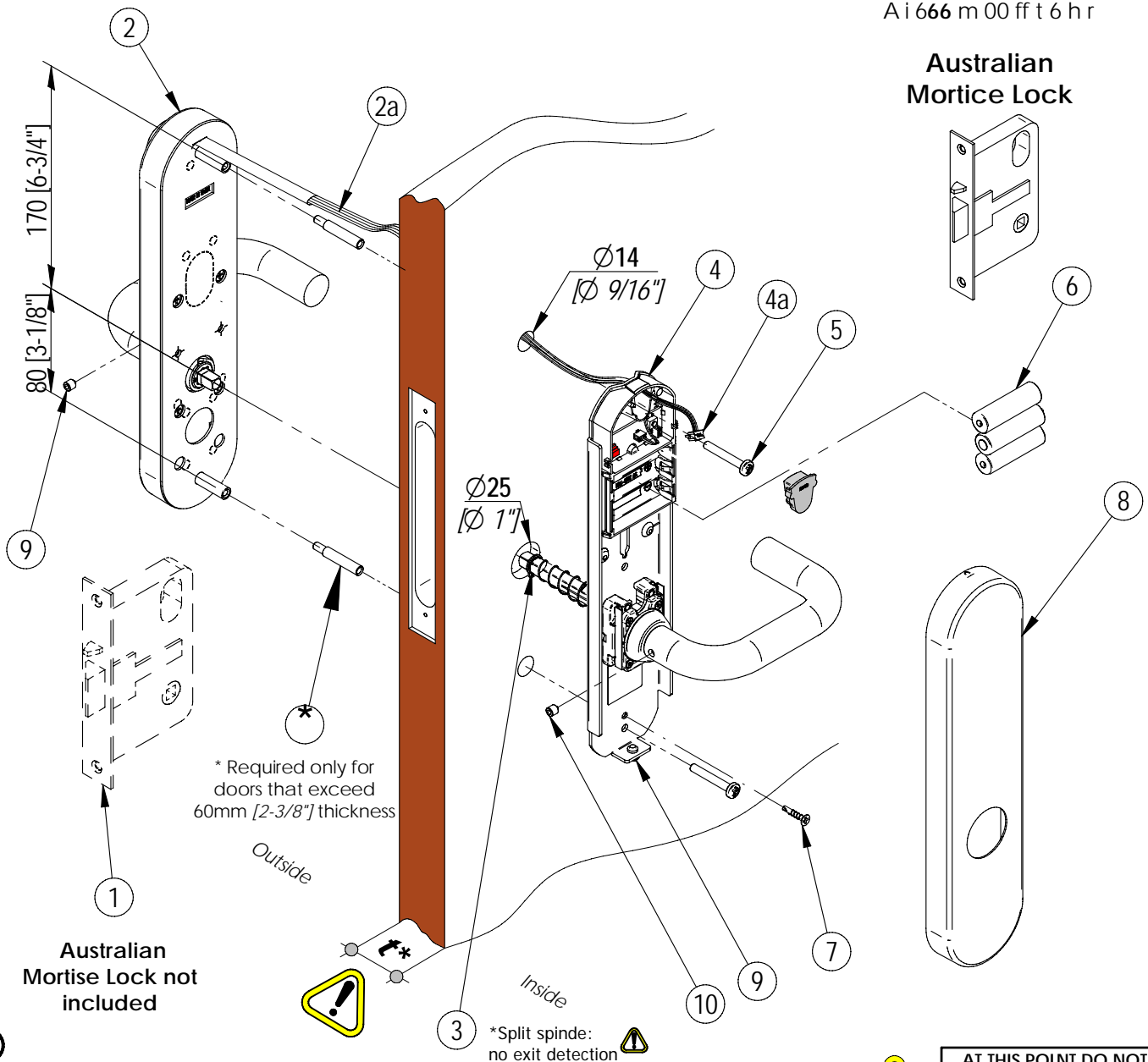


Installation guide Ai6xx

(Ai6xx x 00 xx x 6 x) 7.6 mm Split Spindle for Australian Mortise Locks

SALTO
inspiredaccess

Ai 650 m 00 ff t 6 h r series
Ai 656 m 00 ff t 6 h r
Ai 660 m 00 ff t 6 h r
Ai 666 m 00 ff t 6 h r



Australian Mortise Lock

(Eng)

Declaration of conformity

By means of the present Salto Systems S.L. (Pol. Lanbarren C/Arkotz, 9 - 20180 Oiartzun - Spain - CIF B20708517), declares that this equipment fulfills the essential requirements and any other applicable or indispensable dispositions of the Directive 1999/5/CE or the Directive 89/336/EEC. You will be able to find a copy of the original declaration of conformity at the following Internet address: <http://www.saltosystems.com>

All proximity models are "Receiver class 3".

(E)

Declaración de conformidad

Por medio de la presente Salto Systems S.L. (Pol. Lanbarren C/Arkotz, 9 - 20180 Oiartzun - Spain - CIF B20708517), declara que este equipo cumple con los requisitos esenciales y cualesquiera otras disposiciones aplicables o exigibles de la Directiva 1999/5/CE o la Directiva 89/336/EEC. Podrá encontrar una copia de la declaración de conformidad original en la siguiente dirección de Internet: <http://www.saltosystems.com>

Todos los modelos de proximidad son "Receiver class 3".



**AT THIS POINT DO NOT
CLOSE THE DOOR
TEST THE LOCK FIRST**
follow user manual

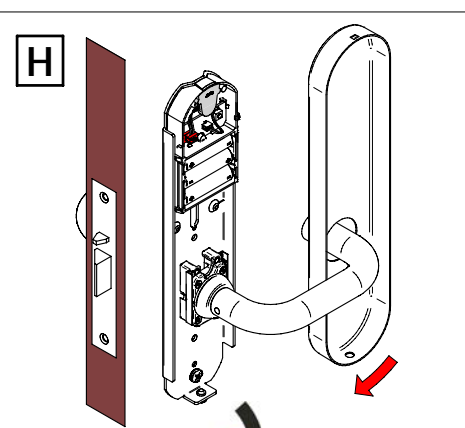
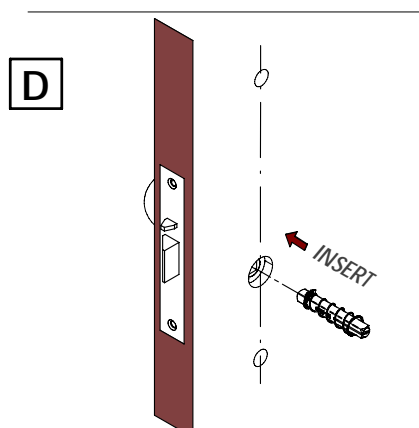
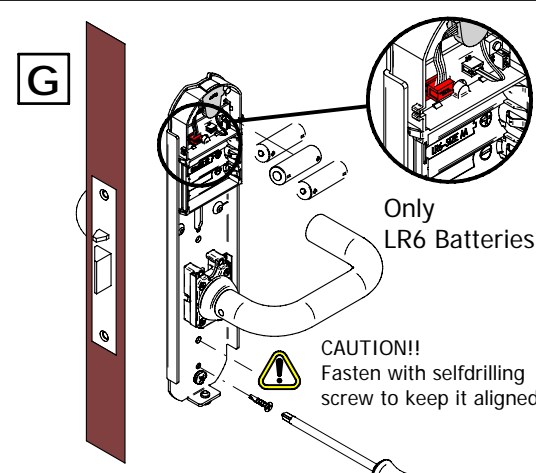
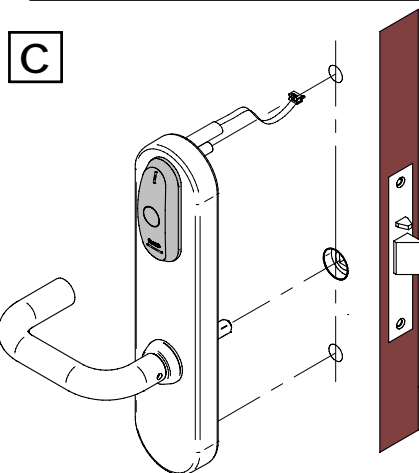
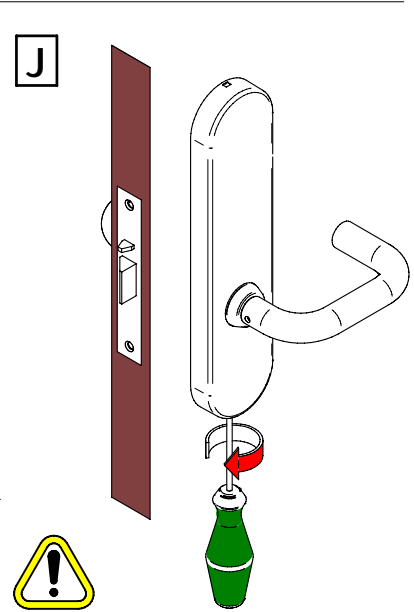
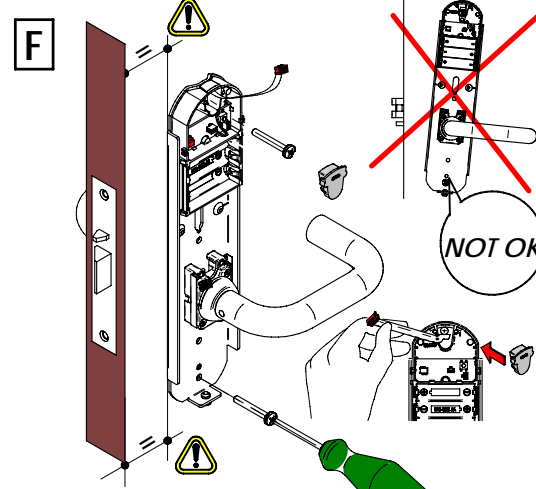
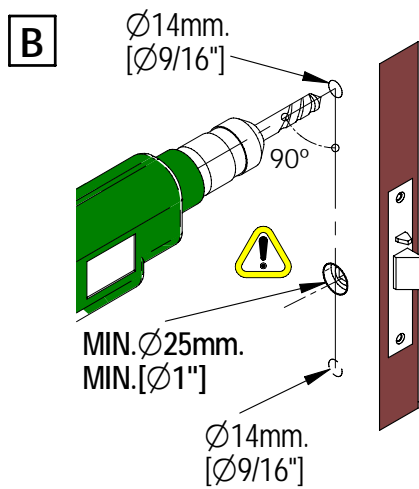
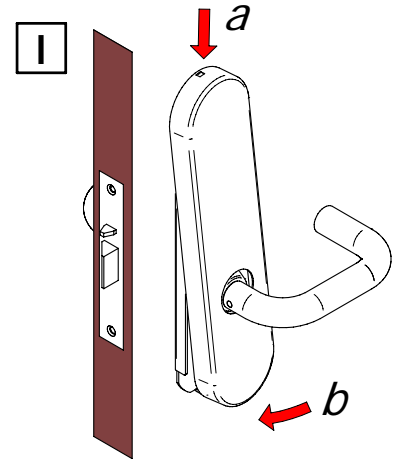
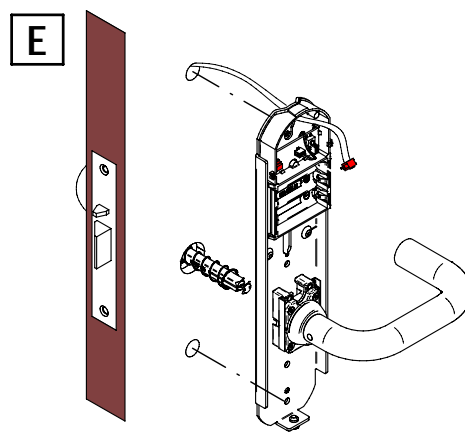
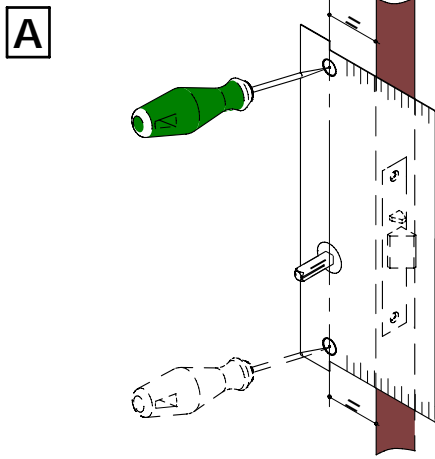
ONLY FOR PROXIMITY MODELS

Note: This equipment has been tested and found to comply with the limits for a Class B digital device, pursuant to part 15 of the FCC Rules. These limits are designed to provide reasonable protection against harmful interference in a residential installation. This equipment generates, uses, and can radiate radio frequency energy and, if not installed and used in accordance with the instructions may cause harmful interference to radio communications. However, there is no guarantee that interference will not occur in a particular installation. If this equipment does cause harmful interference to radio or television reception, which can be determined by turning the equipment off and on, the user is encouraged to try to correct the interference by one or more of the following measures:

- Reorient or relocate the receiving antenna.
- Increase the separation between the equipment and receiver.
 - Connect the equipment into an outlet on a circuit different from that to which the receiver is connected.
 - Consult the dealer or an experienced radio/TV technician for help.

Installation guide Ai6xx

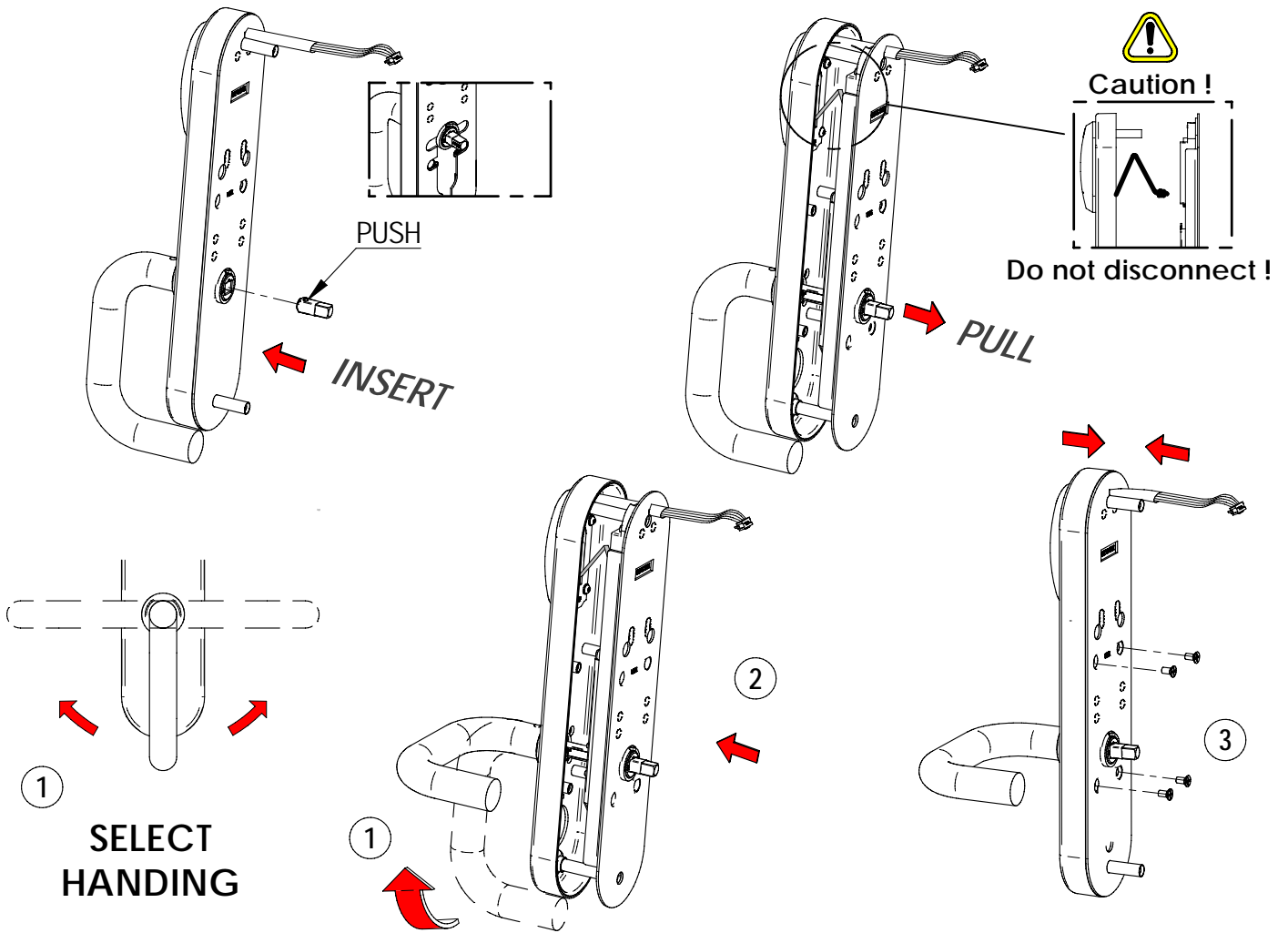
(Ai6xx x 00 xx x 6 x) 7.6 mm Split Spindle for Australian Mortise Locks



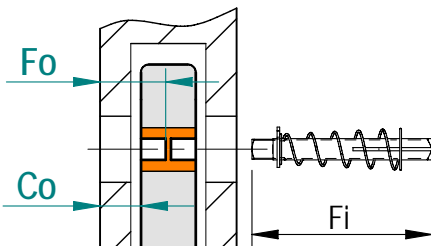
! AT THIS POINT DO NOT CLOSE THE DOOR TEST THE LOCK FIRST

For office mode:
Handle pressed after open time

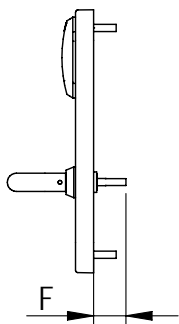
follow user manual



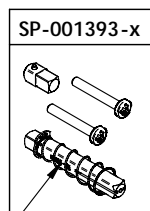
Split Spindle depending Spindle's "Fo" Measure



F Spindle Projection	Fo Required Spindle Length	Co	t REF.	Fi Inside Spindle	P Door Thickness (Orientative)
14.5 mm	15-17.5 mm	9-11.5	2	68mm	32 - 53 mm
17 mm	17.5-20 mm	11.5 - 14 mm	A		
19.5 mm	20-22.5 mm	14 - 16.5 mm	B		
22 mm	22.5-25 mm	16.5 - 19 mm	5		
16 - 58.5 mm	16.5 - 59 mm	10.5 - 54.5 mm	9	70 - 100.5mm	50 - 90 mm
30 - 88.5 mm	30.5 - 89 mm	54.5 - 81.5 mm	1	100 - 130.5mm	90 - 120 mm



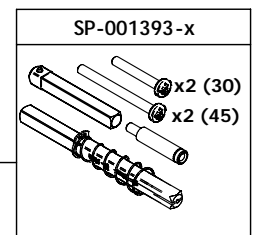
SPLIT SPINDLE 7.6 KIT



Door thickness
range indication

F Spindle	t	Split Spindle 7.6 Kit
	REF.	REF.
14.5 mm	2	SP-001393-2
17 mm	A	SP-001393-A
19.5 mm	B	SP-001393-B
22 mm	5	SP-001393-5
16 - 58.5 mm	9	SP-001393-9
27 - 88.5 mm	1	SP-001393-1

SPLIT SPINDLE 7.6 KIT

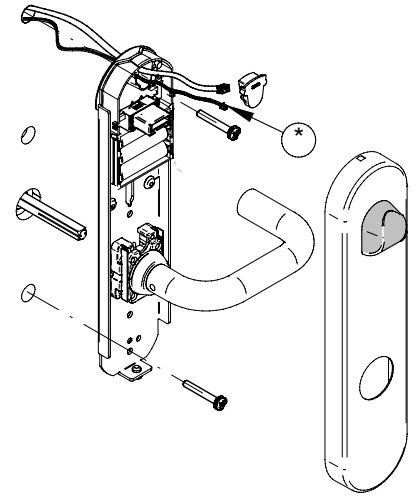
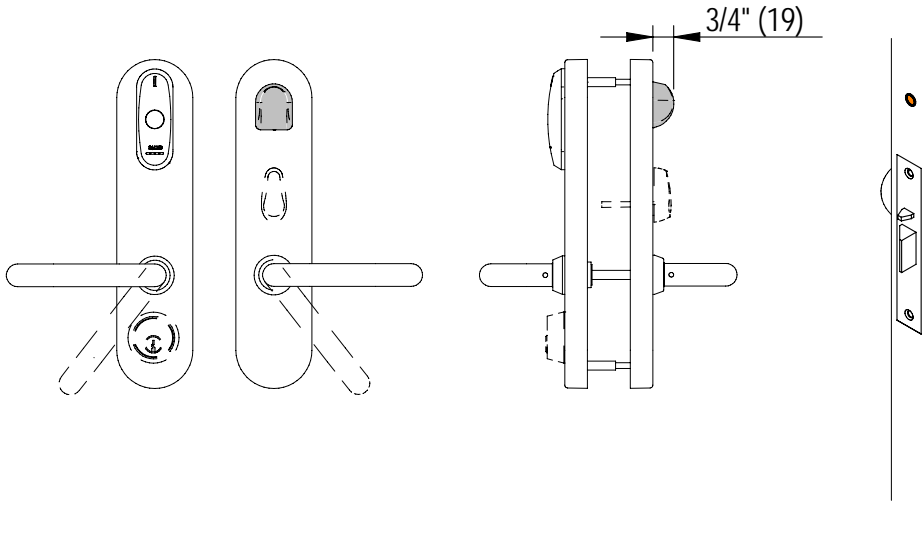


Installation guide Ai6xx

(Ai6xx x 00 xx x 6 x) 7.6 mm Split Spindle for Australian Mortice Locks

WIRELESS

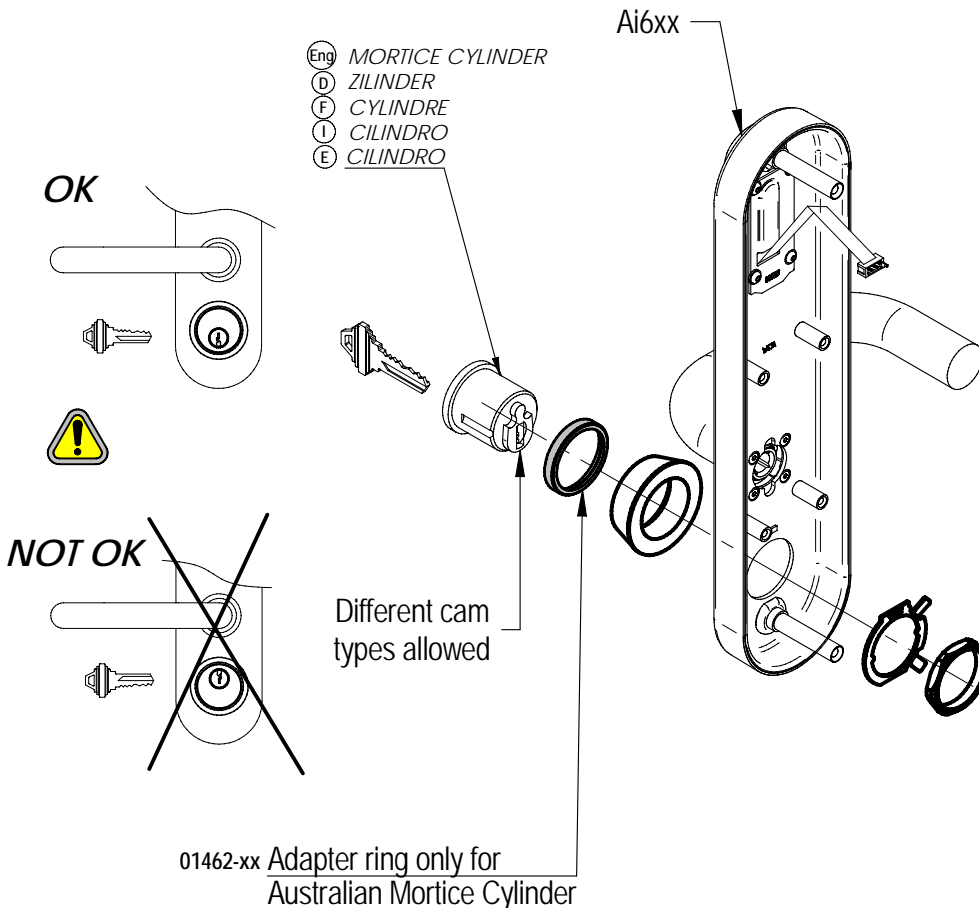
Ai 650 m 00 ff t 6 h W series
Ai 656 m 00 ff t 6 h W
Ai 660 m 00 ff t 6 h W
Ai 666 m 00 ff t 6 h W



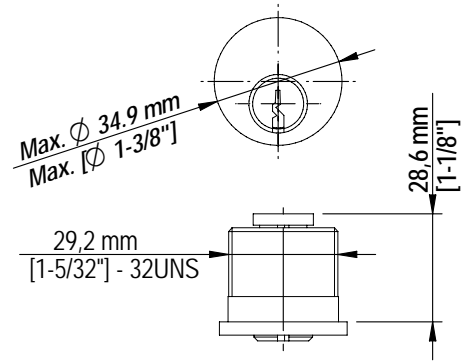
Eng NOTE:
This device complies with part 15 of the FCC Rules. Operation is subject to the following two conditions: (1) This device may not cause harmful interference, and (2) this device must accept any interference received, including interference that may cause undesired operation.
Note: This equipment has been tested and found to comply with the limits for a Class A digital device, pursuant to part 15 of the FCC Rules. These limits are designed to provide reasonable protection against harmful interference when the equipment is operated in a commercial environment. This equipment generates, uses, and can radiate radio frequency energy and, if not installed and used in accordance with the instruction manual, may cause harmful interference to radio communications. Operation of this equipment in a residential area is likely to cause harmful interference in which case the user will be required to correct the interference at his own expense.

Eng * Door detector for Ai6xx...
Wooden doors RFDCTW18W01
Steel doors RFDCTS18W01

VERRIDE ASSEMBLY



USA Mortice Cylinder



Australian Mortice Cylinder

